

GS3050-I

*GSM INTERFACE
INTERFACCIA GSM*



DSC[®]

CE MADE
IN
ITALY

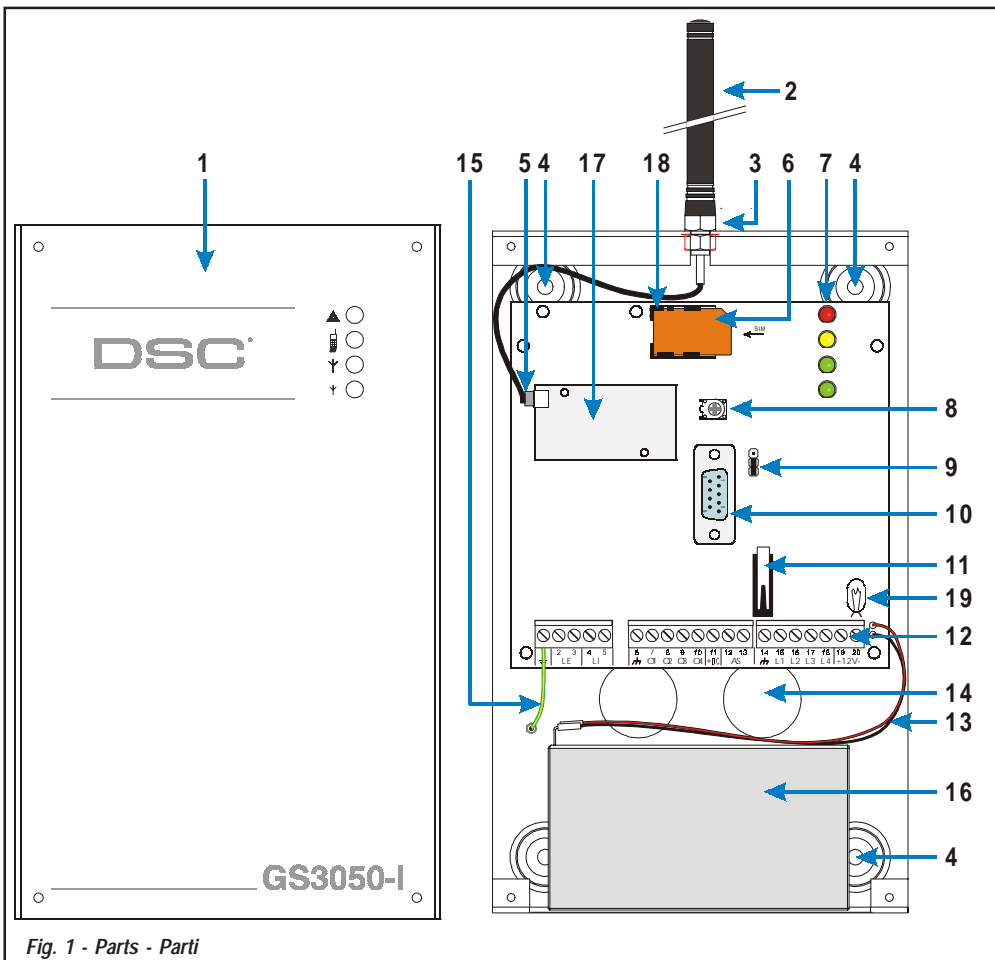


Fig. 1 - Parts - Parti

| N. | Parts | Parti |
|----|---|---|
| 1 | Metal Casing | Coperchio metallico |
| 2 | GSM Antenna | Antenna GSM |
| 3 | GSM Antenna nuts | Bullone di fissaggio dell'Antenna GSM |
| 4 | Anchor Screw holes (Ø 3 mm) | Fori fissaggio fondo (Ø 3 mm) |
| 5 | Connector for GSM Antenna | Connettore Antenna GSM |
| 6 | SIM CARD | SIM-CARD |
| 7 | LEDs | LEDs di segnalazioni |
| 8 | Reserved Trimmer | Trimmer Riservato |
| 9 | Reserved Jumper (Jumper must be connected as per Fig. 1) | Ponticello Riservato (Lasciare nella posizione illustrata in Fig. 1) |
| 10 | RS-232 Connector | Connettore RS-232 |

! This Connection is necessary
Collegamento fondamentale

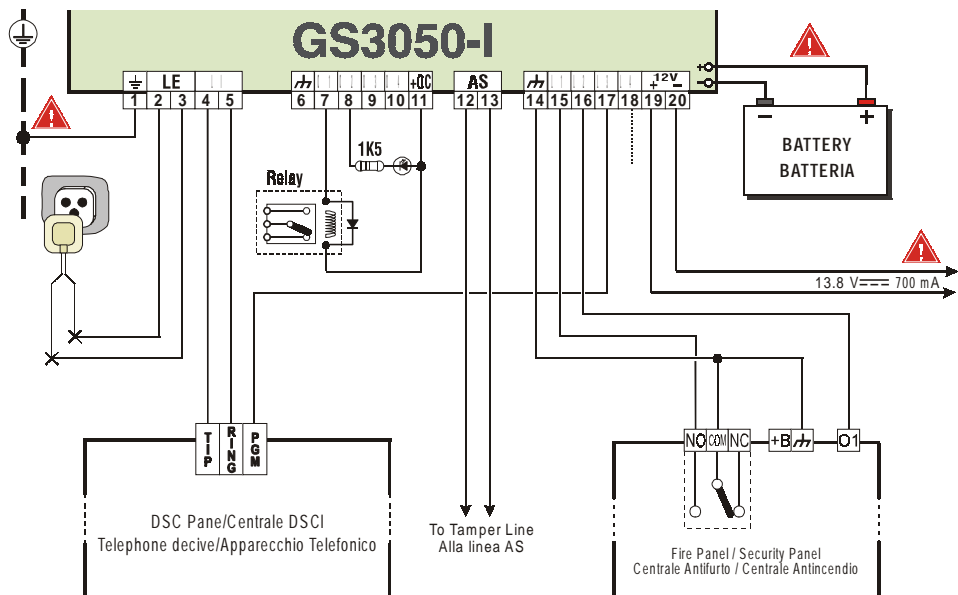


Fig. 2 - Wiring Diagram - Esempio di Collegamento

| N. | Parts | Parti |
|----|-------------------------------------|-------------------------------------|
| 11 | Frontplate Tamper Switch | Microswitch antiapertura |
| 12 | Terminal Board | Morsettiere collegamenti |
| 13 | Battery Connector | Cavetti Batteria |
| 14 | Cable entry | Apertura per passaggio cavi |
| 15 | Hearth Cable | Cavetto collegamento Terra |
| 16 | 12V-1.2Ah Battery (not supplied) | Batteria 12V-1,2Ah (non fornita) |
| 17 | GSM Module | Modulo GSM |
| 18 | SIM holder | Porta SIM-CARD |
| 19 | 24V-3Watt light bulb | Lampadina 24V-3Watt |

| | |
|---|-----------|
| INTRODUCTION | 5 |
| FEATURES | 5 |
| Technical Specifications | 5 |
| Description | 5 |
| IDENTIFICATION OF PARTS | 5 |
| INSTALLING THE GS3050-I | 6 |
| CONNECTING THE GS3050-I | 6 |
| STATUS LEDS | 7 |
| OPERATING PRINCIPLES | 7 |
| Simulated Land Line | 7 |
| SMS function | 7 |
| ContactID Mode | 7 |
| Function Priority | 8 |
| Simulated Land Line Priority | 8 |
| SMS or Contact ID Priority | 8 |
| ContactID Event Priority | 8 |
| ACTIVATING THE OUTPUTS | 8 |
| Activating/Deactivating Automatic Outputs | 8 |
| Activating/Deactivating Remote-control Outputs | 8 |
| Bistable Outputs (for Household appliance management) | 8 |
| Monostable Outputs (for appliance management) | 9 |
| PROGRAMMING THE GS3050-I | 9 |
| PROGRAMMING THE SIM CARD VIA PC | 10 |
| Viewing the GS3050-I Settings | 10 |
| Downloading the GS3050-I Settings into the GS3050-I | 10 |
| Preliminary operations | 10 |
| Telephone Page | 10 |
| Telephone Numbers | 10 |
| Prefix | 10 |
| Digit to Remove | 10 |
| SMS Dialler Page | 11 |
| Main window | 11 |
| Interface to DSC Panel | 11 |
| Priority | 12 |
| Pay-as-you-go Balance message | 12 |
| Periodic message | 12 |
| Outputs Page | 12 |
| Output Settings | 12 |
| Access Code | 12 |
| Contact ID Page | 12 |
| Telephone numbers to call | 13 |
| Events description | 13 |
| Periodic Reports | 13 |
| Calls Page | 13 |
| Load button | 13 |
| Received Calls | 13 |
| Missed Calls | 13 |
| Dialled Calls | 13 |
| Status Page | 13 |
| Status section | 13 |
| Inputs section | 14 |
| Outputs section | 14 |
| Events section | 14 |
| Send next periodic message on | 14 |
| Send next periodic report on | 14 |
| Clear call queue | 14 |
| Remote Programming | 14 |
| PROGRAMMING THE GS3050-I VIA CELLPHONE | 15 |
| Introduction | 15 |
| Programming the Telephone Numbers | 15 |
| Configuring the GS3050-I | 15 |
| 1st SMS - Outputs configuration | 15 |
| 2nd SMS - SMS Dialler Configuration | 16 |
| 3rd SMS - Other Configurations | 17 |
| 4th SMS - Contact ID Communicator Configuration | 17 |
| SMS Dialler | 18 |
| Remote Programming | 18 |
| INFORMATION FOR THE USER | 20 |
| Remote Programming of the Access Code | 20 |
| GSM Network Calls | 20 |
| Further Information | 20 |

FEATURES

- Simulates land line
- Switches automatically to GSM Network in the event land line trouble (line down)
- Manages and signals Incoming/Outgoing calls
- GSM signal indicator
- 4 programmable OC Outputs
- Houses 12V - 1.2 Ah battery (not included)
- Tamper protection
- Land line overvoltage protection
- Dual-Band
- 4 Input Lines
- SMS Alerts
- Contact ID Dialler
- 13 SMS Messages (2 messages per Input Line and 5 Status messages)
- 8 phone numbers (max. 20 digits) programmable for SMS Dialler
- 4 phone numbers programmable for Contact ID Dialler
- Up to 95 phone numbers (max. 20 digits) can be programmed to manage remote control of the OC Outputs
- Remote control of the OC Outputs via SMS and/or over-the-phone after caller recognition
- Pay-As-You-Go Balance message (for pre-paid SIM Cards)

Technical Specifications

The 13.8 V --- (700 mA max.) power supply voltage to the **GS3050-I** can be drawn from the Control panel or provided by a ADP1512 AC/DC adapter (accessory item).

- Power Supply voltage: **13.8 V ---**
- Maximum Current Draw: **700 mA**
- Operating Temperature: **+5° to +40° C**
- Dimensions (mm): **138 x 224 x 55**
- Weight (without battery): **900 g**

Description

The **GS3050-I GSM Interface** provides total confidence in all security and surveillance applications. It manages **SMS** and **Central Station** transmissions and can simulate the land line in the event of trouble (land line down) or even substitute the land line completely in areas where the GSM service is provided and where the land line is not available.

The **GS3050-I** supports CONTACTID, 10 bps and 20 bps protocols and, in places with optimum GSM signal reception, SIA and CESA protocols.

The performance of this device depends greatly on GSM Network cover, therefore, it should not be mounted without first performing placement tests to determine the best location (best reception). The **GS3050-I** has 4 Input lines which can be used to activate SMS and/or Contact ID transmissions (Trouble alert, Periodic messages or Pay-As-You-Go Balance (for pre-paid SIM Cards).

The **GS3050-I** has 4 Outputs which can be set up to control household appliances from remote locations or used for status signalling.

Due to the characteristics of GSM Networks, the GS3050-I can function only as intended and cannot be used as a modem for fax/data transmissions or for teleservice operations.

The GS3050-I is housed in a tamper-protected metal casing equipped with status LEDs.

IDENTIFICATION OF PARTS

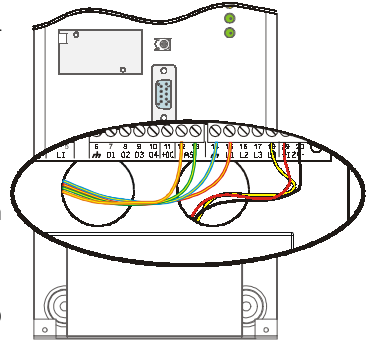
The numbers in square brackets [] in this manual refer to the main parts of the GS3050-I (see Fig. 1) described in this section.

INSTALLING THE GS3050-I

The **GS3050-I** should be located in a safe dry place away from radio transmitters and similar devices.

🔧 *Test the GSM Network reception before mounting the GS3050-I in the proposed placement.*

1. Remove the 4 screws and the metal casing [1].
2. Using the back box, mark the 4 screw locations then drill the anchor screw holes.
▲ **Check for cable conduits and water pipes before drilling.**
3. Using anchor screws (not included), mount the back box to the wall.
4. Lay the cables, then pull them through the cable entry [14] (see figure).
5. Fit the antenna [2] (ensure that the bolt [3] is fastened tightly).
6. Using the connector [5], connect the GSM Module [17].
7. Following the arrow on the board, insert the SIM-CARD [6] face down in the SIM holder (see Figure 1).
▲ **The SIM-CARD PIN must be disabled.**
8. Complete the connections on the terminal board [12].
9. Using the 4 screws and washers, reattach the frontplate [1] securely to the back box.



CONNECTING THE GS3050-I

This section describes the various terminals. Fig. 2 shows a typical wiring diagram.

- ⚡ (1) **Earth:** This terminal must be connected to the Mains Earth, in order to comply with the Telecommunications Network Safety Standards (Overvoltage Protection Requirements).
- LE (2-3) **External telephone line:** These terminals can be connected to the land line.
- LI (4-5) **Internal telephone line:** These terminals (normally connected to the land line) must be connected to the telephone device terminals (terminals L.E. on Bentel Diallers).
- ↔ (6-14) **Negative:** Power Supply.
- 0x (7-8-9-10) **Programmable Open-Collector Outputs:** These outputs can be activated either by programmed events (Automatic Mode) or by SMS text messages (Remote Mode), refer to "Activating the Outputs" for details. The maximum current draw of each OC Output must not exceed 70 mA
- +OC (2-3) **Common terminal for Open-Collector Outputs:** Common power-supply terminal (12 Vcc-450mA) for all OC Outputs (O1, O2, O3, O4).
- AS (12-13) **Tamper:** These terminals are connected in series to the Tamper microswitch [11]. They will be closed when the GS3050-I is properly closed, and will open when the frontplate is removed.
- Lx (15-16-17-18) **Programmable Input line:** These terminals can be set up to activate the SMS and Contact ID transmission functions.
- ⚡ (19-20) **GS3050-I power supply:** These terminals must be connected to a 13.8 V power supply, 700 mA minimum — under normal circumstances drawn from a Control panel or ADP1512 Adaptor (accessory item). **If the GS3050-I power supply is drawn from a Control panel, ensure that the maximum current draw (700 mA) is protected by a resettable fuse or similar device.**

Once the connections have been completed, connect the Red and Black wires [13] to a 12V-1, 2Ah battery.

- 🔧 *The GS3050-I must be connected to a 13.8 V power supply and to a backup battery. This device must be Earthed (see Fig. 2).*
- 🔧 *When disposing of batteries, follow the instructions and and precautions printed on the batteries, and contact your municipal offices for information on the disposal of used batteries.*

STATUS LEDs

The **GS3050-I** Interface has 4 status LEDs.



🔊 *All 4 LEDs will blink during the Initializing and Programming phases.*

The following section describes the Control panel status LEDs.

- γ **GREEN** — If this LED is **OFF** and the RED LED is ON, the GSM Network service is unavailable (**NO SERVICE**). This LED will **Blink** when the GSM Network reception is bad, if this occurs, only SMS transmissions will be possible. If this LED is **ON** (glowing), the **GS3050-I** Interface will be able to manage all telephone communications.
- γ **GREEN** — When this LED is **ON** (glowing), the reception is good. This LED will switch ON only when the other GREEN LED is ON (glowing).
- 📱 **AMBER** — This LED will switch **ON** (glowing) when the interface switches to the GSM Network (due to land line trouble). This LED will **Blink** in the event of an incoming or outgoing call (regardless of the operating status of the land line).
- ▲ **RED** — This LED is Normally OFF, it will blink in the event of power trouble. This LED will switch ON (glowing) in the event of GSM Module [17] trouble, or when the GSM Network is unavailable (NO SERVICE), or when Remote Programming option is enabled. If this LED switches ON (glowing), and the two Green LEDs indicate the availability of the GSM Network service, ONLY Emergency calls will be possible.

OPERATING PRINCIPLES

Simulated Land Line

The Simulated land line provides traditional telephone devices with a backup line in the event of land line trouble (line down). This operating mode will allow calls and data transmissions to be carried on the land line. If the voltage on the land line terminals (**LE**) drops below 3 V for a period of between 10 to 45 seconds (depending on the device connected to the **LI** terminals), the GS3050-I will switch the connected telephone device to the GSM Network for a full 15 minute interval, at the end of this interval, it will check the land line:

- if the land line has been restored, it will switch the connected telephone device back to the land line;
- if the land line is still down, it will continue to simulate the land line until the it is fully restored.

The GS3050-I will not switch during ongoing calls. The simulated line will provide the line ring voltage for incoming calls and will decode DTMF dialling (the GS3050-I is unable to decode Pulse dialling).

The **Function Priority** (to be selected during the programming phase) will determine how the GS3050-I manages communications (SMS and ContactID) and calls from the telephone device connected to the **LI** terminals (e.g. Control panel).

SMS function

This operating mode allows the GS3050-I to send text messages to 8 telephone numbers. The messages can be associated with the following events:

- Alarm signals on the 4 Programmable Input lines: 2 preset messages — Alarm and End of Alarm.
- Land Line Test: 2 preset messages — Line down and Line restored.
- Power supply Test: 2 preset messages — Trouble and Trouble clear
- Periodic message: 1 message to be sent at regular intervals (accepted values 1 through 999999 minutes).

🔊 *The SMS messages will be sent to the programmed numbers when the respective events occur.*

ContactID Mode

This operating mode will allow the GS3050-I to send calls to the Central Station:

- Alarm signals on the 4 Programmable Input lines: require Event Codes and Customer Codes
- Status signal, with a Customer Code
 - Land Line Test:
 - Power supply Test:
 - Call queue full
 - Periodic report (to be sent at regular intervals — accepted values 1 through 999999 minutes).

🔊 *The Contact ID reports will be sent when the respective events occur.*

Function Priority

Simulated Land Line Priority

If the device connected to the LI terminals (e.g. Control panel) tries to engage the line, the GS3050-I will interrupt any ongoing communications (SMS or ContactID) in order to send the calls generated by the device. The GS3050-I will restart the interrupted communications when the device disengages the line.

SMS or Contact ID Priority

If the device connected to the LI terminals (e.g. Control panel) is using the GSM Network (through the GS3050-I Interface) when an SMS or ContactID associated event occurs, the GS3050-I will interrupt the ongoing call and send the respective SMS message or ContactID report.

ContactID Event Priority

If several events occur contemporarily, the respective messages will be sent in chronological order. If an event is associated with a ContactID report and an SMS communication, priority will be given to the ContactID report.

ACTIVATING THE OUTPUTS

The GS3050-I has 4 OC outputs programmable as **Automatic** (outputs with this attribute will activate in response to the associated events) or **Remote Control** (outputs with this attribute can be activated manually from remote locations by means of SMS messages or calls from enabled telephone numbers).

Activating/Deactivating Automatic Outputs

The OC outputs can be activated automatically by the following events:

- Land line trouble (line down)
- GSM Module trouble
- GSM trouble (Limited/No Service)
- Power supply trouble
- Incoming call
- Outgoing call
- ContactID digital report
- Enablement of remote programming

✦ *Once an OC output has been activated automatically, it will not restore to standby until all the causes of activation clear.*

Activating/Deactivating Remote-control Outputs

The OC outputs can be programmed as **BISTABLE** (activated/deactivated by means of an SMS text message or **Remote Control number**) or **MONOSTABLE** (activated by means of SMS text messages or **Remote Control numbers**). Once a Monostable output has been activated, it will not deactivate until the programmed **ON Time** expires. Each output can be set up to provide a feedback signal (ring or SMS text message).

✦ *For further information regarding the terms "Access Code" and "Output Label" (used in the following section), refer to the "Outputs Page" in the "Software" section.*

Bistable Outputs (for appliance management)

Bistable OC outputs can be activated in 2 ways.

1. By sending a case sensitive **SMS** text message containing the respective Access Code, placed between pound signs (#), and the Output Label (e.g. GATE) followed by =ON, as follows:
`#ACCESSCODE#OUTPUTLABEL=ON` (example: `#AZ55#GATE=ON`)
2. By sending a cost-free call from a preset **Remote Control number**. The GS3050-I will activate the respective output without answering the call.

- ☞ *Bistable OC outputs can be deactivated by sending a case sensitive SMS text message containing the respective Access Code placed between pound (#) signs and Output Label (e.g. GATE) followed by =OFF, as follows:*

#ACCESSCODE#OUTPUTLABEL=OFF (example: #AZ55#GATE=OFF)

Monostable Outputs (for appliance management)

Monostable OC outputs can be activated in 2 ways.

1. By sending a case sensitive **SMS** text message containing the respective Access Code placed between pound (#) signs and Output Label followed by "=ON" or "=OFF", as follows:

#ACCESSCODE#OUTPUTLABEL=ON

#ACCESSCODE#OUTPUTLABEL=OFF

2. By sending a cost-free call from a preset **Remote Control number**. The GS3050-I will activate the output concerned without answering the call.

- ☞ *Monostable OC outputs deactivate (switch OFF) automatically when the programmed ON Time expires.*

PROGRAMMING THE GS3050-I

- ☞ *If the GS3050-I is to manage all the SMS functions, use a 32 K SIM CARD (or higher) which holds at least 20 text messages.*

The SIM-CARD can be programmed via PC, using the GS3050-I Software Application from the **Bentel Security Suite** software package (the manufacturer strongly advises this method), or via any GSM Cellphone.

NOTE: The manufacturer shall not assume responsibility for damage arising from improper programming via GSM Cellphone.

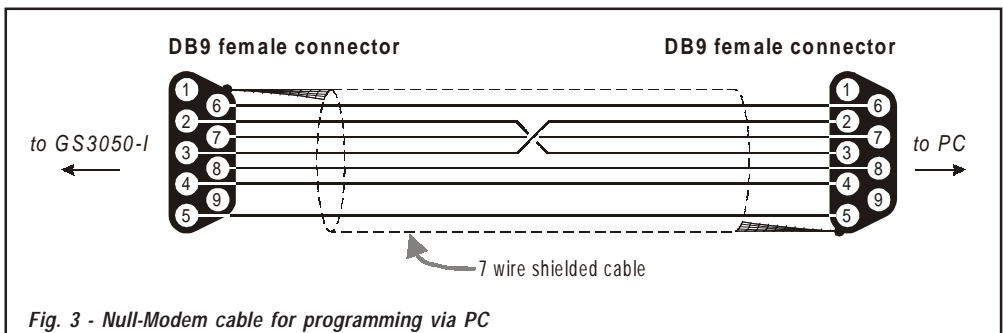


Fig. 3 - Null-Modem cable for programming via PC

PROGRAMMING THE SIM CARD VIA PC

This section contains the programming instructions using the GS3050-I Software Application from the **Bentel Security Suite** software package. This programming method requires the connection of a Null-Modem cable (see Fig. 3) to the RS232 input [10] of the GS3050-I and the computer COM port.

Once the Null-Modem cable has been connected, set the computer COM port through the **Settings->Serial Port** option from the Menu.

Viewing the GS3050-I Settings

To view the GS3050-I settings on the screen, use the **Programming->Load** option from the Menu.

Downloading the GS3050-I Settings into the GS3050-I

Once programming has been completed (or an uploaded file containing existing data has been modified), download the data into the GS3050-I, using the **Programming->Download** option from the Menu.

Preliminary operations

When the application starts, you will be presented with the Main window showing two sections on the left hand side.

- **Folders:** This section will allow you to click on the various Programming and Control Pages.
 - **Customers:** This section will allow you to delete or retrieve configuration data, as follows:
 1. Using the right button on the mouse, click on the Customer's name.
 2. Click **Load** to upload the respective data from the Hard-Disk, or **Delete** to delete the data configuration. You can load the configuration data by double clicking the respective name field. You can list Customers in alphabetical or code order by clicking the heading of the column concerned.
- ☞ To start the configuration of a new Customer, click on **File->New Customer** then select the device (e.g. GS3050-I) from the product list in the successive window.

The configuration data is presented on 4 pages, a further 2 pages (Calls and Status) are for "Supervisory and Control" purposes. All the pages are described in detail in this section.

Telephone Page

The Telephone Page phonebook holds 95 telephone numbers.

☞ *The first eight numbers in the phonebook will also be used for the SMS functions.*

Telephone Numbers

- Description:** enter an alphanumeric string of up to 20 characters.
- Number:** enter a telephone number of up to 20 digits (only digits and "+" signs are accepted).
- Remote Control Numbers:** select the telephone numbers which will be able to control Outputs 1, 2, 3 and 4 over the phone. The telephone numbers cannot be selected in open order, therefore, if telephone numbers 1 and 6 are selected, telephone numbers 2, 3, 4 and 5 will be selected automatically.
- Dial.:** This memorandum column shows the **SMS Dialler** telephone numbers (selected on the **SMS Dialler** Page from the first 8 telephone numbers in the phonebook).

Prefix

IMPORTANT: The GS3050-I will prefix the digits entered in this field to all the telephone numbers dialled through the **GSM Interface function**.

If necessary enter a Prefix (maximum 4 digits) in this field. If no **Prefix** is required, leave this field empty.

Digit to Remove

If the GS3050-I is connected downstream to a switchboard, the telephone numbers (programmed on the Control panel) must be preceded by the switchboard number (normally one digit). As the switchboard number is not required when calls are sent over the GSM Network, it must be removed from the digits which form the telephone number.

Enter the switchboard number in the **Digit to remove** field.

SMS Dialler Page

This page will allow you to program the SMS Dialler functions and Messages and also set up the 'Special Functions' of the 3 Input lines.



The configuration data on this page concerns the first eight telephone numbers entered on the "Telephone" page.

Main window

The column on the left-hand side of the Main window shows the events which, if duly programmed, will generate two SMS text messages: one for activation and the other for restoral (the 'Periodic SMS text message can generate the activation message only).

- Polarity:** (this column shows the events which unbalance the 4 Input lines), select the Standby polarity of the Inputs — H-Normally Open or L-Normally Closed.
- Telephone Numbers:** click (tick) the check boxes of the numbers to be called when the respective event occurs.
- SMS:** write the Activation and/or Restoral message to be sent when the respective event occurs (maximum 100 characters). If no message is required, leave the respective box empty.
- Serv:** If this option is enabled, unbalance (on Input Lines 1, 2 and 3) will generate actions instead of calls. Two actions can be set up for each Input Line, as per the following table.

| Input line no. | Select | Special Functions |
|----------------|--------|---|
| 1 | A | Enable/Disable Periodic Message <i>If this option is selected — and Input Line 1 is held in a permanent state of Unbalance, the BGSMS-I will send the Periodic Message at regular intervals (in accordance with the values in the Periodic Message section). If Input Line 1 restores to standby status (Input Line 1 balanced) the BGSMS-I will not send the Periodic Message</i> |
| | B | Send Periodic Message now <i>If this option is selected, the BGSMS-I will send the Periodic Message immediately and start the interval between messages</i> |
| 2 | A | Clear Call Queue |
| | B | Restore Reserved Outputs to Standby |
| 3 | A | Switch to GSM |
| | B | Alternative Dialling |

Interface to DSC Panel

Option 'Alternative dialling' is used to connect our GS3050-I to DSC's Power series control Panel. So now is possible to work in the following way connecting a Power panel to the GS3050-I device (programming Power panel properly):

- **Until the PSTN telephone line is present:** all the normal reporting to central station will go via PSTN (arming/disarming/alarms/troubles...); the periodic test event to the central station will go over the GSM network.
- **When the PSTN telephone line is NOT present:** all the communications to the central station will go over GSM network (backup line).

Below necessary programming steps on the Power panel (the example refer to a Power832 - PC5010 panel).

- Program the second telephone number (section 302)
- Set to ON option 4 (2nd telephone Number Via LINKS) in Section 368
- Set to OFF option 7 (LINKS is Backup of Land Line) and to ON option 1 (Communications enabled) in Section 380
- Program Section 352 (Test Transmission reporting Codes) with the event codes.
- Program Section 360 (Communicator Format Options) with 03 for both telephone numbers (CONTACT I.D. reporting)
- Set section 370 and 371 (transmission period and transmission hour)
- It is advisable to avoid to modify the default call attempt on section 160 (8 attempt)

From the point of view of the connections (refer to Fig. 2):

- Connect the PSTN line to LE terminal boards of the GS3050-I
- Connect TIP-RING terminal of Power panel to GS3050-I LI terminal board
- Connect one wire between PGM terminal of Power panel and **input 3** of the GS3050-I device

☛ **On the GS3050-I you need to program nothing, because required 'Alternative dialling' option is enabled by default.**

Priority

This section will allow you to select the operating priority of the GS3050-I: **Interface** (at default) or **SMS Dialler/Contact ID Communicator**.

Pay-as-you-go Balance message

☛ **NOTE: The Manufacturer shall not assume responsibility for Pay-as-you-go credit services managed by GSM Network Providers.**

If you enable this option, an SMS text message — containing information provided by the GSM Network regarding the end-user's credit balance — will be sent to the **first number in the Telephone Number list**. Enter the number of telephone calls (ContactID reports and/or outgoing SMS text messages) the GS3050-I must allow before checking the Pay-as-you-go balance.

- Pay-As-You-Go Balance message** - If you click on this button the application will open a window showing the remaining credit balance (if this service is managed by your network provider), or a message indicating that this service is not available.

Periodic message

This section will allow you to set up the **Periodic message** options.

- Date of first Periodic message** - Select the Date of the first Periodic message.
- Time of the first Periodic message** - Select the Time of the first Periodic message.
- Interval** - Enter the interval (DD-HH-MM) between each Periodic message. Accepted DAY values: 0 to 693.

☛ **ATTENTION: If Input Line 1 is assigned to Special functions (Column A), transmission of the Periodic message will be subordinate to 'Unbalance' on Input Line 1 (refer to the 'Special functions' table). If this occurs, the Date and Hour of the Periodic message will be irrelevant.**

Outputs Page

This page will allow you to set up and control the outputs.

Output Settings

- Polarity:** select the polarity of the output: **H**-Normally Open **L**-Normally Closed.
- For Land Line Trouble, GSM Trouble, etc.:** select the events that will activate the outputs.
- Reserved Output:** - If this option is selected, all other events assigned to the output in this section will be ignored. Select this option, if the output concerned is to be used for Remote control purposes (refer to "Activating and Deactivating and Remote Control Outputs").

The following options will affect Reserved Outputs ONLY.

- Output Label** - Type in the label (max. 8 characters) of the appliance (e.g. Gate) which is to be remote-controlled via SMS.
- Output feedback** - Select the type of feedback signal (**None**, **Ring** or **SMS**) to be sent when the respective output activates. If the Output Label field is empty, the SMS option will not be available.
- Monostab.** - Under normal circumstances, these outputs hold active status until they receive a deactivation command. If automatic deactivation is required, it will be necessary to program the **ON Time** (i.e. the time the output will hold active status).
- ON Time (sec.)** - Enter the required ON Time in seconds (accepted values 2 to 254 seconds). If the output has been programmed as Monostable, this value will determine the amount of time the output will hold active status before restoring to standby.

Access Code

Type in the code (maximum 4 alphanumeric characters) which will allow the user to control the outputs over-the-phone.

Contact ID Page

This page will allow you to set up the Contact ID function.



Telephone numbers to call

Four telephone numbers of up to 20 digits (digits and + signs).

The GS3050-I will try each telephone number 3 times before considering a call unsuccessful and quitting.

☞ *The Contact ID Codes will be sent to the first number (with Contact ID reporting protocol) that answers the call.*

Events description

- Customer Code** - type in a 4 character code (accepted values: digits and the letters A, B, C, D, E and F).
- Event Code** - type in the Contact ID to be transmitted when the respective event occurs.
- Send** - select (tick) the events to be sent.

Periodic Reports

The GS3050-I can be programmed to send Periodic Contact ID reports. This section will allow you to select the **Date** and **Time** of the first periodic report and the **Interval** between reports.

Calls Page

This page will allow you to view on the screen the Dialed, Received and Missed calls.

☞ *Each section can store a maximum of 10 calls. If the number of calls exceeds this limit, the GS3050-I will make space automatically by deleting the oldest calls.*

Load button

To view the Dialed, Received and Missed calls, click the **Load** button. Depending on programming, some telephone numbers may not have Caller ID.

Received Calls

If the GS3050-I is connected to a Control panel or another telephone device, this section will allow you to view the calls received by the GS3050-I.

Missed Calls

This section will allow you to view any unanswered incoming calls.

Dialed Calls

This section will allow you to view any calls dialed by the GS3050-I whether in Contact ID Communicator mode and/or GSM Interface mode.

Status Page

This page will allow you to monitor and control in real-time all the GS3050-I functions and, if not previously done, unblock the SIM CARD PIN.

☞ *ATTENTION: This page is updated every 5 seconds.*

Status section

This section shows the GSM Module data. This virtual display shows the GSM Network Provider, the GS3050-I battery charge (for the precise level, position the mouse arrow on the battery icon for a several seconds) and GSM signal reception (indicated by 10 bars).

The virtual **Communication** LED is usually **GREEN**. It will turn **RED** in the event of a breakdown in communication between the software and the GS3050-I. If it turns **AMBER**, the GS3050-I is either reading the SIM CARD or receiving/making a telephone call, under these circumstances the status update will be suspended temporarily.

Inputs section

This section shows the status of each of the 4 Inputs (GREEN LED = Input balanced; RED LED = Input Unbalanced) and any Special functions associated with the Inputs.

Outputs section

This section shows the status of each of the 4 Outputs (GREEN LED = Output in standby; RED LED = Output activated). If any of the Outputs has been set up as "Reserved" (refer to "Outputs page"), RED LED On, **it will be possible to activate/deactivate** the Outputs in real-time by right-clicking the respective **Polarity** option and selecting the Activate/Deactivate sub-option.

Events section

This section shows the events as they occur (RED LED On).

Send next periodic message on

This section shows the Date and Time of the next periodic SMS text message (refer to the SMS dialler page).

Send next periodic report on

This section shows the Date and Time of the next periodic Contact ID report (refer to the Contact ID Communicator page).

Clear call queue

This button will allow you to interrupt any ongoing calls and stop the outgoing call queue.

☛ *This option is available ONLY when the GS3050-I operates in SMS Dialler/Contact ID Communicator mode.*

Remote Programming

This feature will allow you to change the configuration data of the GS3050-I from remote locations. This procedure is not a Teleservice operation, as it will not allow you to view the current configuration of the GS3050-I concerned but only to send SMS text messages to reconfigure it.

Work carefully through the following steps:

1. Using the software application, load the configuration data of the respective Customer.
2. Make any necessary changes but **DO NOT SAVE** the new configuration.
3. Obtain Remote Programming authorization from the Customer, then send an SMS text message (containing the respective Access Code) to the GS3050-I concerned, as follows: `#AccessCode#**PRG*`
4. Select **Programming->Remote** from the menu.
5. Select the Customer from the upper window.
6. Click **View All** — if you want to reconfigure the GS3050-I completely or **Match** — if you want to send SMS text messages in order to make changes.
7. The lower window shows a list of SMS text messages which will allow you to program the GS3050-I from remote locations. These messages can be sent via cellphone or, if you connect the GS3050-I to your computer, by clicking **Download**. In the latter case, a window will open for the telephone number of the GS3050-I concerned.
8. Once completed, close the Remote Programming session by sending an SMS text message (containing the respective Access Code) to the GS3050-I concerned, as follows: `SMS #AccessCode#**`
9. Save the new configuration.

☛ *It is not be possible to change the date of the first Periodic Contact ID report or SMS Message during the Remote Programming phase. For instructions on how to change the Access Code, refer to "Remote Programming of the Access Code".*

PROGRAMMING THE GS3050-I VIA CELLPHONE

 Before starting the programming procedure, DELETE any telephone numbers and/or SMS text messages saved on the SIM-CARD.



Introduction

IMPORTANT: The successful outcome of the manual programming phase depends on the type of cellphone used. Ensure that the cellphone saves the SMS text messages in the intended order (i.e. the first SMS text message in location 1, the second in location 2 and so forth). If you edit an existing SMS text message, ensure that it is resaved in the same location in the memory.

This section describes how to program the SIM CARD using your cellphone. For the parameter descriptions refer to the “PROGRAMMING THE SIM CARD VIA PC” section.

To start the procedure, insert the SIM CARD and turn your cellphone On, then work carefully through the following instructions.

IMPORTANT: Use ONLY the signs and characters indicated.

Programming the Telephone Numbers

You can save up to 99 telephone numbers in the phonebook for the GS3050-I SMS Dialler, Contact ID communicator and Remote Control functions.

The telephone numbers must be programmed in accordance with the following table.

| Locations | SMS Dialler | Remote Control | Contact ID |
|-----------|-------------|----------------|------------|
| 1 to 8 | ● | ● | |
| 9 to 95 | | ● | |
| 96 to 99 | | | ● |

Configuring the GS3050-I

NOTE: The term “place card” (used in this section) refers to the letter which is in place of an entry in the programming string.

To configure the GS3050-I, program 4 SMS text messages, as follows:

- 1st SMS - Outputs configuration
- 2nd SMS - SMS Dialler configuration
- 3rd SMS - Other configurations
- 4th SMS - Contact ID Communicator configuration

1st SMS - Outputs configuration

To configure the outputs — create a 4 section SMS text message, as per the following syntax:

Ox=p;E:yyyyyyyy; (for the outputs used for GS3050-I Status signalling) or

Ox=p;M:ttttttt,r;i1-i2,mmm; (for the Reserved outputs used for remote control).

where:

x - this place card represents the number of the Output (1, 2, 3 or 4).

p - this place card represents the polarity of the Output:

L - Normally Closed H - Normally Open

yyyyyyyy - these place card represent the 8 events which can activate the Output.

Enter 1 to select the corresponding event or 0 to deselect it, in accordance with the following table:

| Event No. | Event Description |
|-----------|--------------------------|
| 1 | Land line trouble |
| 2 | GSM Module trouble |
| 3 | GSM Trouble (No Service) |
| 4 | Power supply trouble |

| Event No. | Event Description |
|-----------|----------------------------------|
| 5 | Incoming call |
| 6 | Outgoing call |
| 7 | Contact ID digital report |
| 8 | Enablement of Remote Programming |

t t t t t t t t - these place cards represent the alphanumeric **SMS text message** which will control the output (up to 8 characters, no spaces).

r - this place card represents the feedback signal received after remote activation of the output, accepted values:

- 0 - No feedback
- 1 - SMS text message (if the output is activated via SMS)
- 2 - Ring

i1 - i2 - these place cards represent the telephone numbers in the GS3050-I phonebook assigned to **Remote Control**. For example, if you type in 04-32, all the telephone numbers between 4 and 32 in the GS3050-I phonebook will be able to control the output over-the-phone (by calling the GS3050-I). Both values must have 2 digits (e.g. 04). If the remote Control feature is not required, type in 00-00.

mmm - these place cards represent the amount of time, in seconds, the output will stay On (On Time).

Accepted values: 002 through 254 seconds. To assign the Bistable attribute to the output, type in 255.

The following example shows the completed SMS text message:

01=H;E:10000000;02=H;E:01110000;03=L;E:00001110;04=H;M:Gate,2;05-30,100;

Output 1 = Normally Open, activated by event number 1 (Line down).

Output 2 = Normally Open, activated by events number 2, 3 and 4.

Output 3 = Normally Closed, activated by events number 5, 6 and 7.

Output 4 = Normally Open, activated by a Remote Control number between 5 and 30 in the GS3050-I phonebook. Label = Gate. Activation feedback = Ring. Output active for 100 seconds.

2nd SMS - SMS Dialler Configuration

To configure the SMS Dialler — create a 7 section SMS text message, as per the following syntax:

X=a r ,YYYYYY;

where:

x - this place card represents an Event, accepted values "A" to "G", in accordance with the following table:

| Value | Event Description |
|-------|-------------------------|
| A | Unbalanced Input Line 1 |
| B | Unbalanced Input Line 2 |
| C | Unbalanced Input Line 3 |
| D | Unbalanced Input Line 4 |

| Value | Event Description |
|-------|----------------------|
| E | Land line down |
| F | Power supply trouble |
| G | Send Periodic SMS |

a - this place card represents the SMS text message which will be sent when the respective event occurs.

Enter 1 to send the message or 0 not to send the message.

r - this place card represents the SMS text message which will be sent when the respective event ends.

Enter 1 to send the message or 0 not to send the message.

yyyyyyy - these place cards represent the first 8 telephone numbers in the GS3050-I phonebook.

Enter 1 if the corresponding telephone number is to be called, or 0 if it is not to be called.

The following example shows the completed SMS text message:

A=00,00000000;B=11,10000000;C=10,11000000;D=00,00000000;E=10,10000001;F=00,00000000;G=10,00000010;

Unbalanced Line 2 = Send Active/Restored messages to the telephone number in Location 1 in the GS3050-I phonebook.

Unbalanced Line 3 = Send Active message only to the telephone numbers in Locations 1 and 2.

PSTN line down = Send Active message only to the telephone numbers in Locations 1 and 8.

Send Periodic message to the telephone number in Location 7 in the GS3050-I phonebook

3rd SMS - Other Configurations

The 3rd SMS text message contains several settings, as per the following syntax:

IP:xxxx;IS:abcdef00;MP:t1,DP:t2;C2:ddd;T:tt;Py;R:n;P:p;

xxxx - these place cards represent the polarity of the Inputs, accepted values:

L (Normally Closed Input activates when floating) or H (Normally Open Input activates when tied to Negative).

abcdef - these place cards represent the Inputs that manage the "Special Functions" (1) or **SMS Dialler** functions (0).

Only the first 3 Input lines can be dedicated to "Special Functions", in accordance with the following table:

| Input Line no. | Place card | Special Functions |
|----------------|------------|-------------------------------------|
| 1 | a | Enable/Disable Periodic Message |
| | b | Send Periodic Message now |
| 2 | c | Clear Call Queue |
| | d | Restore Reserved Outputs to Standby |
| 3 | e | Switch to GSM |
| | f | Alternative Dialling |

t1 - these place cards represent the time, in minutes, of the interval between Periodic messages.

Accepted values: 000001 through 999999 (this programming field requires 6 digits).

t2 - these place cards represent represent the time, in minutes, of the interval between Periodic Contact ID reports.

Accepted values: 000001 through 999999 (this programming field requires 6 digits).

ddd - these place cards represent the Contact ID Communicator Customer Code.

tt - these place cards represent the number of telephone actions (01 through 99) the GS3050-I must perform before reading the SIM CARD credit balance. Enter the required number or enter 00 if this feature is not required.

y - this place card represents the **Priority**. Accepted values: I (Interface priority) or A (Dialler priority).

n - this place card represents the **Digit to remove** from the telephone number. Accepted values: 0 to 9.

p - this place card represents the **Prefix**. Accepted values: 0 to 9 (maximum 4 digits).

The following example shows the completed SMS text message:

IP:HHH;IS:0010000;MP:001440,DP:001440;CD:ABCD;T:03;PI;R:1;P:081;

All 4 Input Lines Normally Open

Input Line 2 with Special Function 'Clear Call Queue'

Periodic Message and Periodic Contact ID Report to be sent every 1440 minutes (24 hours)

The Customer Code for the Contact ID Communicator is ABCD

Pay-as-you-go Balance sent to the first telephone number in the GS3050-I phonebook every 3 telephone actions

Interface Priority

Digit to remove: 1

Prefix: 081

4th SMS - Contact ID Communicator Configuration

To configure the Contact ID Communicator — create a 4 section SMS text message, as per the following syntax:

x=ar,uuuu,eee;

where:

x - this place card represents the Input line associated with the event.

Accepted values: **A, B, C** and **D**, in accordance with the following table:

| Input Line 1 | Input Line 2 | Input Line 3 | Input Line 4 |
|--------------|--------------|--------------|--------------|
| A | B | C | D |

a - this place card represents the Contact ID Communicator Event report.

Accepted values: **1** (the Communicator will **activate** if the Input line is unbalanced) or **0** (the Communicator will **not activate** if the Input line is unbalanced).

r - this place card represents the Communicator Restoral report.

Accepted values: **1** (the Communicator will **activate** if the Input line restores to standby) or **0** (the Communicator will **not activate** if the Input line restores to standby).

uuuu - these place cards represent the Customer Code assigned to the Input line.
 eee - these place cards represent the Contact ID Event Code associated with the Input line.
 A further 4 sections must be added to this SMS text message, as per the following syntax:

x=ar,ee;

where:

x - this place card represents the event the data refers to.

Accepted values: E, F, G and H, in accordance with the following table:

| Land Line | Power | Periodic report | Call Queue Full |
|-----------|-------|-----------------|-----------------|
| E | F | G | H |

a - this place card represents the Contact ID Communicator Event report.

Accepted values: **1** (the Communicator will **activate** if the associated event occurs) or **0** (the Communicator will **not activate** if the associated event occurs).

r - this place card represents the Contact ID Communicator Restoral report.

Accepted values: **1** (the Communicator will **activate** if the associated event occurs) or **0** (the Communicator will **not activate** if the associated event occurs).

ee - these place cards represent the Contact ID Event Code to be transmitted.

The Customer Code, previously programmed in SMS text message No. 3 will be assigned automatically to these events.
 The following example shows the completed SMS text message:

A=11,0123,456;B=11,789A,BCD;C=10,9999,AAA;D=00,0000,000;E=00,00;F=00,00;G=00,00;H=00,00;

The Contact ID Communicator will be activated for Unbalance and Restoral events on Input Lines 1 and 2.

The Contact ID Communicator will be activated for Unbalance ONLY on Input Line 3.

The Customer Codes for Input Lines 1, 2 and 3 are 0123, 789A and 9999 respectively.

The contact ID Event Codes, to be sent in the event of Unbalance/Restoral of Input Lines 1, 2 and 3, are 456, BCD and AAA respectively.

SMS Dialler

You must create 15 SMS text messages for the SMS Dialler function, in accordance with the following table:

| SMS no. | Event associated with SMS | SMS no. | Event associated with SMS |
|---------|---------------------------|---------|---------------------------|
| 5 | Alarm on Input 1 | 12 | Restoral 4 |
| 6 | Restoral Input 1 | 13 | Land line down |
| 7 | Alarm on Input 2 | 14 | Land line restored |
| 8 | Restoral Input 2 | 15 | Power supply trouble |
| 9 | Alarm on Input 3 | 16 | Power supply restored |
| 10 | Restoral Input 3 | 17 | Send Periodic message |
| 11 | Alarm on Input 4 | | |

✎ *It is not be possible to change the Access Code (used for remote control of the outputs via SMS text message and to Enable Remote Programming) during the Remote Programming phase. For instructions on how to change the Access Code, refer to "Remote Programming of the Access Code".*

Remote Programming

The GS3050-I can be programmed from remote locations via SMS text messages. This procedure can be enabled ONLY by the end-user by means of the following SMS text message:

#uuuu#*PRG*

where:

uuuu - these place cards represent the Access Code (4 digits).

Once this message has been sent, the SMS text messages (Configuration and SMS Dialler), described in the "MANUAL PROGRAMMING" section and a specific message to edit a telephone number (in the GS3050-I phonebook). All the SMS text message have the following syntax:

#*x*<SMS>*

where:

x - represents one of the characters from the following table:

| Character | SMS |
|-----------|---------------------------------|
| a | Outputs Configuration |
| b | SMS Dialler Template |
| c | Input Polarity and System varie |
| d | Contact ID Communicator |
| e | Input 1 Activationl Message |
| f | Input 1 Restoral Message |
| g | Input 2 Activation Message |
| h | Input 2 Restoral Message |
| i | Input 3 Activation Message |

| Character | SMS |
|-----------|----------------------------|
| j | Input 3 Restoral Message |
| k | Input 4 Activation Message |
| l | Input 4 Restoral Message |
| m | Land line down |
| n | Land line restored |
| o | Power supply trouble |
| p | Power supply restored |
| q | Periodic SMS |
| r | Edit number in phonebook |

<SMS>- these place cards represent the text message, as described in the "MANUAL PROGRAMMING" section. To edit a telephone number in the GS3050-I phonebook, send the following message:

p , "Telephone Number" , , "Name"

where:

p - this place card represents the location in the GS3050-I phonebook where the telephone number is to be saved (2 digits required, for example 01).

To delete a telephone number from the GS3050-I phonebook, send the following message

p

where:

p - this place card represents the location of the telephone number in the GS3050-I phonebook (2 digits required, for example 01).

👉 The end the Remote Programming phase, send the following message: #AccessCode#.**

Remote Programming of the Access Code

To change the Access Code, use the following SMS text message:

#uuuu#*#nnnn#

where:

uuuu represents the old Access Code, and nnnn represents the new Access Code.

☞ *The default Access Code is 0001.*

GSM Network Calls

If the GS3050-I is connected to a telephone, it will be possible to make calls on the GSM Network.

Further Information

Refer to the following sections for further information:

- STATUS LEDs
- OPERATING PRINCIPLES
- ACTIVATING THE OUTPUTS
- "Remote Programming" in the "PROGRAMMING VIA PC section"

| | |
|---|-----------|
| INTRODUZIONE | 22 |
| Caratteristiche Generali | 22 |
| Caratteristiche Tecniche | 22 |
| Descrizione Generale | 22 |
| IDENTIFICAZIONE DELLE PARTI | 23 |
| INSTALLAZIONE | 23 |
| COLLEGAMENTI | 23 |
| SPIE DI CONTROLLO | 24 |
| MODALITA' DI FUNZIONAMENTO | 24 |
| Funzionamento come Interfaccia GSM | 24 |
| Funzionamento come Avvisatore SMS | 24 |
| Funzionamento come Avvisatore Contact ID | 25 |
| Gestione delle Priorità | 25 |
| Priorità di Funzionamento all'Interfaccia | 25 |
| Priorità di Funzionamento all'Avvisatore (SMS o Contact ID) | 25 |
| Priorità degli Eventi dell'Avvisatore | 25 |
| ATTIVAZIONE DELLE USCITE | 25 |
| Attivazione e disattivazione delle Uscite in automatico | 25 |
| Attivazione e Disattivazione delle Uscite da remoto | 26 |
| Uscite Bistabili | 26 |
| Uscite Monostabili | 26 |
| INTRODUZIONE ALLA PROGRAMMAZIONE | 26 |
| PROGRAMMAZIONE DA PC | 27 |
| Leggere la Programmazione dal GS3050-I | 27 |
| Inviare la Programmazione sul GS3050-I | 27 |
| Operazioni preliminari | 27 |
| Pagina Telefono | 27 |
| Sezione Numeri Telefonici | 27 |
| Prefisso | 28 |
| Cifre da rimuovere | 28 |
| Pagina Avvisatore SMS | 28 |
| Sezione Principale | 28 |
| Interfacciamento con Centrali DSC | 28 |
| Priorità | 29 |
| Controllo credito residuo | 29 |
| SMS Periodico | 29 |
| Pagina Uscite | 29 |
| Sezione Impostazione Uscite | 29 |
| Codice Utente | 30 |
| Pagina Comunicatore Contact ID | 30 |
| Numeri da chiamare | 30 |
| Tabella Eventi | 30 |
| Segnalazione periodica | 30 |
| Pagina Chiamate | 30 |
| Pulsante Carica | 30 |
| Sezione Chiamate Ricevute | 30 |
| Sezione Chiamate Perse | 30 |
| Sezione Chiamate Effettuate | 31 |
| Pagina Stato | 31 |
| Sezione Stato | 31 |
| Sezione Ingressi | 31 |
| Sezione Uscite | 31 |
| Sezione Eventi | 31 |
| Prossimo Invio SMS Periodico | 31 |
| Prossimo Invio Segnalazione Periodica | 31 |
| Cancella coda telefonica | 31 |
| Programmazione Remota | 31 |
| PROGRAMMAZIONE MANUALE | 33 |
| Introduzione | 33 |
| Programmazione dei Numeri Telefonici nella Rubrica | 33 |
| Configurazione del GS3050-I | 33 |
| 1° SMS - Configurazione delle Uscite | 33 |
| 2° SMS - Configurazione l'Avvisatore SMS | 34 |
| 3° SMS - Altre Configurazioni | 35 |
| 4° SMS - Configurazione l'Avvisatore Digitale | 35 |
| SMS dell'Avvisatore | 36 |
| Programmazione da remoto | 36 |
| INFORMAZIONI PER L'UTENTE | 38 |
| Modifica del Codice Utente da remoto | 38 |
| Per effettuare una telefonata | 38 |
| Altre informazioni | 38 |

Caratteristiche Generali

- Fornisce una linea PSTN simulata
- Rilevamento assenza linea PSTN e commutazione automatica su Rete GSM
- Gestione e segnalazione delle telefonate in entrata ed in uscita
- Indicatore di intensità del campo GSM
- 4 Uscite Open-Collector programmabili
- Alloggiamento per una batteria tampone da 12V - 1,2 Ah (non inclusa)
- Protezione contro i sabotaggi
- Protezione da sovratensioni sulla linea telefonica
- Dual-Band
- 4 Linee di Ingresso
- Avvisatore SMS
- Avvisatore Contact ID
- 13 Messaggi SMS (2 per ogni Linea di Ingresso più 5 per Segnalazioni di Stato)
- 8 numeri telefonici (max. 20 cifre) programmabili per l'Avvisatore SMS
- 4 numeri telefonici programmabili per l'Avvisatore Contact ID
- Fino a 95 numeri telefonici (max. 20 cifre) programmabili per l'attivazione da remoto delle Uscite OC
- Attivazione delle uscite da remoto mediante riconoscimento del chiamante e/o l'invio di SMS
- Controllo credito residuo delle SIM-CARD prepagate

Caratteristiche Tecniche

Per un corretto funzionamento, l'Interfaccia richiede una tensione di alimentazione di 13,8 V=700 mA massimo prelevabile direttamente dalla Centrale oppure dall'alimentatore ADP1512 (accessorio da richiedere a parte).

- Tensione di alimentazione: **13,8 V=**
- Assorbimento massimo: **700 mA**
- Temperatura di funzionamento: **da +5° a +40° C**
- Dimensioni (mm): **138 x 224 x 55**
- Peso (senza batteria): **900 g**

Descrizione Generale

Il GS3050-I è un dispositivo che permette di accedere alla Rete GSM e può funzionare in due diverse modalità: **AVVISATORE** ed **INTERFACCIA** come descritto nei successivi capitoli. Nel campo dei sistemi di sicurezza, essa risulta indispensabile in tutti quei casi in cui non si dispone della Linea Telefonica convenzionale (PSTN).

Inoltre il GS3050-I è in grado di gestire telefonate verso le Stazioni di Televigilanza: in questo caso le prestazioni offerte dipendono fortemente dal Gestore della Rete GSM e dal livello di copertura della zona.

Si è comunque rilevato che il protocollo CONTACT ID, i protocolli 10 bps, 20 bps e, in condizioni ottimali di campo, anche i protocolli SIA e CESA, transitano con buona affidabilità sulla rete GSM.

In ogni caso è da ritenere a rischio di insuccesso una comunicazione che avvenga nella condizione del *Led di campo lampeggiante*. È pertanto sempre necessario effettuare delle prove di comunicazione nelle reali condizioni di installazione al fine di valutare l'affidabilità della connessione. Inoltre il GS3050-I dispone di 4 Linee di Ingresso per attivare l'Avvisatore SMS e/o l'Avvisatore Contact ID che possono essere utilizzati anche per inviare segnalazioni di stato.

Con il GS3050-I è possibile attivare da remoto una o più delle 4 uscite disponibili, altrimenti utilizzate per segnalazioni di stato. A causa delle caratteristiche della rete GSM, il GS3050-I è da utilizzare esclusivamente nei casi sopradetti, quindi non come modem per la trasmissione di fax e dati o per operazioni di Teleassistenza.

Il GS3050-I viene fornito in contenitore metallico protetto contro i tentativi di sabotaggio e dotato di chiare segnalazioni sul suo funzionamento.

IDENTIFICAZIONE DELLE PARTI



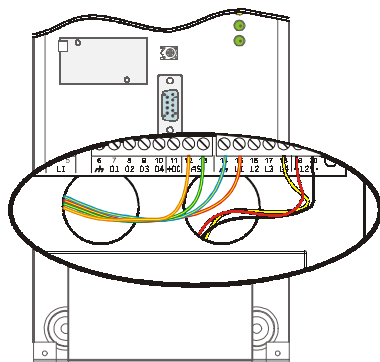
In Fig. 1 è riportata la lista numerata delle parti più importanti del GS3050-I. Nei successivi paragrafi, i numeri riportati tra parentesi quadre [] fanno riferimento a queste parti.

INSTALLAZIONE

Prima dell'installazione, fare molta attenzione alla copertura della zona da parte del Gestore di Rete GSM.

Per installare il GS3050-I, scegliere un luogo sicuro, non locali aventi mura spesse e lontano da apparecchi radio-trasmittenti.

1. Rimuovere il coperchio [1] svitando le 2 viti che lo tengono fissato al fondo.
2. Dopo aver scelto il punto per il fissaggio, posare tutti i cavi necessari, quindi far passare questi ultimi attraverso le aperture [14] posta sul fondo del contenitore (vedi figura a lato).
3. Facendo attenzione a non danneggiare fili o tubazioni sottotraccia, praticare i 4 fori sulla parete, inserire i 4 tasselli (non forniti) e fissare il fondo utilizzando i fori [4] presenti sullo stesso.
4. Montare l'antenna [2] controllando che sia ben avvitata al fondo metallico mediante il bullone [3].
5. Inserire il connettore [5] sul Modulo GSM [17].
6. Inserire la SIM-CARD [6] (assicurandosi che sulla stessa sia **disabilitato il Controllo PIN**): la SIM-CARD va inserita con i contatti rivolti verso quelli del porta-SIM e la tacca di riferimento come indicato in Fig. 1 (fare riferimento al disegno della freccia presente sulla scheda per il verso di inserimento). La disabilitazione del controllo PIN può essere effettuata anche dal Software di gestione.
7. Eseguire i collegamenti richiesti sulle morsettiere [12].
8. Riposizionare il coperchio [1] e fissarlo con 4 viti (in dotazione) avendo cura di interporre tra le vite ed il coperchio stesso le apposite rondelle in dotazione.



COLLEGAMENTI

In Fig. 2 è riportato un esempio di collegamento. Di seguito viene data una descrizione dei vari morsetti.

Terra (1) Terra. Questo morsetto deve essere collegato alla Terra dell'impianto elettrico per proteggere il GS3050-I dalle sovratensioni sulla linea telefonica e per soddisfare i requisiti di sicurezza della rete di telecomunicazione.

LE (2-3) Linea Telefonica Esterna. Su questi morsetti può essere collegata la linea telefonica analogica (PSTN).

LI (4-5) Linea Telefonica Interna. Su questi morsetti vanno collegati quelli del dispositivo telefonico (avvisatore telefonico, L.E. sui nostri articoli) che solitamente vengono collegati alla Linea Telefonica Esterna.

MA (6-14) Massa. Negativi di alimentazione

OX (7-8-9-10) Uscite Open-Collector Programmabili per essere attivate da remoto oppure attraverso il verificarsi di un certo evento (vedi paragrafo 'Attivazione delle Uscite' più avanti in questo manuale). La corrente massima prelevabile da ciascuna Uscita OC non può superare i 70 mA

+OC (2-3) Comune per Open Collector. Morsetto per l'alimentazione comune (12 Vcc-450mA) di tutte le Uscite OC (O1, O2, O3, O4).

AS (12-13) Linea Antisabotaggio. Questi morsetti, che risultano internamente collegati in serie con i contatti del microswitch antisabotaggio [11] risultano in cortocircuito quando il coperchio del GS3050-I è perfettamente chiuso e si aprono non appena quest'ultimo viene rimosso.

LX (15-16-17-18) Linee di Ingresso Programmabili. Morsetti utili per l'attivazione delle funzioni dell'Avvisatore.

AL (19-20) Alimentazione del GS3050-I. Collegare questi morsetti ad una alimentazione di 13,8 V=700 mA minimo generalmente proveniente da una Centrale oppure dall'alimentatore ADP1512 (opzionale). **In caso di collegamento ad una centrale è necessario assicurarsi che tale alimentazione sia protetta e limitata in corrente a 700 mA.**

Terminati i collegamenti, collegare i due cavetti Rosso e Nero [13] ad una batteria da 12V-1,2Ah.

I collegamenti con la batteria tampone, con la Terra e con l'alimentazione da 13,8 V sono sempre necessari (Vedi Fig. 2).

In caso di sostituzione, smaltire le batterie usate in accordo alle normative vigenti.

SPIE DI CONTROLLO

Il dispositivo possiede sul pannello frontale 4 spie di tipo LED dei quali si riporta una breve descrizione.

- ☞ **Durante l'inizializzazione e durante la fase di programmazione, tutti i led lampeggiano simultaneamente.**
- ⋄ **VERDE.** Se **spento** indica l'assoluta mancanza di segnale GSM. In questo caso si accende contemporaneamente anche il LED ROSSO. Se **lampeggiante**, indica un basso livello di segnale GSM: in tal caso funziona correttamente solo la modalità AVVISATORE SMS. Se **acceso fisso**, il livello di segnale GSM è sufficiente per effettuare anche le chiamate vocali.
- ⋄ **VERDE.** Se **acceso** indica una buona intensità di campo GSM. Questo LED si accende solo ed esclusivamente quando anche l'altro LED VERDE è acceso fisso.
- ☎ **GIALLO.** Se **acceso fisso** indica che l'Interfaccia ha commutato sulla Rete GSM a causa di anomalie della Linea Telefonica esterna. Se **lampeggiante**, indica una chiamata in corso in entrata o in uscita (indipendente o meno dalla presenza della Linea Esterna).
- ▲ **ROSSO.** Normalmente **spento**, se **lampeggiante**, indica presenza di problemi di alimentazione. Se è **acceso fisso**, indica un guasto del Modulo GSM [17] oppure la mancanza delle Rete GSM oppure, se è abilitata, la programmazione da remoto. Se questo LED è acceso fisso e contemporaneamente i due LED VERDI segnalano presenza di campo GSM, significa che è possibile effettuare solo ed esclusivamente le chiamate di emergenza.

MODALITA' DI FUNZIONAMENTO

Funzionamento come Interfaccia GSM

L'interfaccia permette di connettere la linea telefonica esterna, essendo completamente passante su tale linea telefonica, fino a che quest'ultima non presenti un'anomalia. Quando questo accade il GS3050-I commuta la linea telefonica proveniente dal dispositivo telefonico sulla rete GSM. In queste condizioni il GS3050-I genera una linea PSTN simulata (tono continuo), fornendo la tensione di linea e di squillo per le chiamate in arrivo e decodificando automaticamente la selezione delle chiamate in partenza in multifrequenza (la selezione decadica non viene gestita).

La commutazione tra la linea PSTN e la linea simulata avviene quando la tensione sulla linea PSTN, presente sui morsetti (**LE-Linea Telefonica Esterna**), scende sotto i 3 V per un tempo compreso tra 10 e 45 secondi (tempo che dipende dal dispositivo connesso ai morsetti **LI-Linea Telefonica Interna**). Una volta avvenuta questa commutazione il GS3050-I farà sì che per i successivi 15 minuti il dispositivo ad esso connesso sia collegato alla rete GSM, indipendentemente dal ripristino o meno della normale Linea Telefonica PSTN. Allo scadere dei 15 minuti, l'Interfaccia commuterà il dispositivo ad esso collegato alla normale Linea PSTN non appena questa sarà nuovamente ripristinata. Se allo scadere dei 15 minuti vi è una chiamata in corso, non avverrà alcuna commutazione: il GS3050-I attenderà infatti che termini la telefonata per poi, qualora la normale Linea PSTN sia di nuovo presente, commutare su quest'ultima.

Durante la programmazione del GS3050-I, è possibile selezionare la **Priorità di Funzionamento**, decidendo subito, in caso di contemporaneità, se vanno prima effettuate le azioni relative all'Avvisatore (SMS o Contact ID) oppure quelle richieste dal dispositivo collegato sui morsetti **LI**, ad esempio una centrale antifurto.

Funzionamento come Avvisatore SMS

Nella modalità di funzionamento come Avvisatore SMS sono chiamati uno o più numeri telefonici (fino ad un massimo di 8) ai quali inviare i Messaggi SMS programmati in precedenza associati ai seguenti eventi:

- Segnali di Allarme che dovessero presentarsi su una o più delle 4 Linee di Ingresso Programmabili. Si tenga presente che per ognuna delle 4 Linee di Ingresso del GS3050-I è possibile programmare 2 Messaggi SMS: quello di Attivazione e quello di Ripristino.
- Test Linea PSTN. E' possibile programmare 2 SMS; quello di mancanza Linea PSTN e quello di Ripristino.
- Test tensione di Alimentazione. E' possibile programmare 2 SMS; quello di segnalazione di problemi relativi alla tensione di Alimentazione e quello di Ripristino.
- Invio SMS Periodico con un periodo programmabile da 1 a 999999 minuti.
- ☞ **L'invio di un Messaggio SMS avviene quando si verifica uno degli eventi appena descritti per il quale è stato programmato un messaggio SMS ed almeno un numero telefonico.**

Funzionamento come Avvisatore Contact ID



Nella modalità di funzionamento come Avvisatore Contact ID, la chiamata alla Centrale di Vigilanza può essere attivata da uno dei seguenti eventi:

- Segnali di Allarme che dovessero presentarsi su una o più delle 4 Linee di Ingresso Programmabili: per ciascuna di esse può essere programmato un distinto Codice Cliente ed un Codice Evento.
- Segnalazioni di stato, con un Codice Cliente comune:
 - Test Linea PSTN
 - Test tensione di Alimentazione
 - Riempimento Coda Telefonica
 - Segnale periodico (con tempo programmabile fino a 999999 minuti)

☛ *La chiamata Contact ID avviene quando si verifica uno degli eventi appena descritti per il quale è stato programmato l'invio.*

Gestione delle Priorità

Priorità di Funzionamento all'Interfaccia

Quando il dispositivo collegato ai morsetti LI richiede la linea, qualsiasi eventuale chiamata effettuata in quel momento in modalità Avvisatore (SMS o Contact ID) dal GS3050-I è terminata. Sono così effettuate le chiamate richieste dal dispositivo collegato ai morsetti LI (ad esempio, una centrale antifurto). Quando il dispositivo collegato ai morsetti LI rilascia la linea, l'Avvisatore (SMS o Contact ID) tornerà ad effettuare le chiamate lasciate in sospenso.

Priorità di Funzionamento all'Avvisatore (SMS o Contact ID)

Nel caso in cui un Dispositivo collegato ai morsetti LI stia effettuando una chiamata su GSM attraverso l'Interfaccia e sia necessario effettuare un'azione da Avvisatore (SMS o Contact ID), la chiamata da interfaccia sarà terminata.

Priorità degli Eventi dell'Avvisatore

In caso di più eventi, non sono previste priorità per cui gli eventuali messaggi saranno inviati in ordine cronologico. Nel caso che ad un Evento sia stata associata sia una chiamata Contact ID che l'invio di un SMS, sarà data la priorità alla chiamata Contact ID.

ATTIVAZIONE DELLE USCITE

Il GS3050-I possiede 4 Uscite (di tipo Open Collector) che possono essere attivate in modo automatico (al verificarsi di certi eventi preprogrammati) oppure da remoto, mediante l'invio di un SMS o la ricezione di una telefonata da un numero appositamente programmato in precedenza.

Attivazione e disattivazione delle Uscite in automatico

Le 4 Uscite del GS3050-I si possono attivare in maniera del tutto automatica in base alla presenza o meno dei seguenti eventi:

- Mancanza Linea Telefonica PSTN
- Guasto sul Modulo GSM
- Mancanza Rete GSM
- Problemi sul circuito di Alimentazione
- Chiamata in Entrata
- Chiamata in Uscita
- Chiamata digitale di Contact ID
- Abilitazione della programmazione da remoto

☛ *Un'Uscita OC attivata in automatico, tornerà nuovamente a riposo solo quando saranno rimosse tutte le cause che ne hanno generato la sua attivazione.*

Attivazione e Disattivazione delle Uscite da remoto

Tutte le Uscite possono essere impostate come bistabili (l'attivazione e la disattivazione avviene attraverso 2 comandi distinti) oppure come monostabili (l'Uscita rimane attiva per un tempo programmabile, detto **Tempo di ON**, trascorso il quale l'uscita stessa torna nuovamente a riposo). Inoltre, per ogni uscita, è possibile ricevere una conferma sul proprio telefono mediante il ricevimento di uno squillo oppure di un SMS precedentemente programmato.

☛ *In seguito si farà riferimento al "Codice Utente" ed alla "Stringa di Controllo". Per maggiori informazioni fare riferimento al paragrafo 'Pagina Uscite' più avanti in questo manuale.*

Uscite Bistabili

Le Uscite OC impostate come Bistabili possono essere attivate in 2 modi:

1. Inviando un semplice SMS programmabile formato dal Codice Utente racchiuso fra i caratteri #, dalla Stringa di Controllo e dai caratteri "=ON" secondo la seguente sintassi:

`#Codice#Stringa=ON` (esempio: `#AZ55#LUCECASA=ON`)

2. Attraverso il **riconoscimento del chiamante**: in tal caso l'Uscita viene attivata a "costo zero" in quanto il GS3050-I, dopo aver riconosciuto il chiamante, rifiuta la chiamata e attiva l'uscita.

☛ *La disattivazione di un'Uscita OC di tipo Bistabile può essere fatta solo attraverso l'invio di un messaggio SMS programmabile formato dal Codice Utente racchiuso fra i caratteri #, dalla Stringa di Controllo e dai caratteri "=OFF" secondo la seguente sintassi:*

`#Codice#Stringa=OFF` (esempio: `#AZ55#LUCECASA=OFF`)

Uscite Monostabili

Le Uscite OC impostate come Monostabili possono essere attivate in 2 modi:

1. Inviando un semplice SMS programmabile formato dal Codice Utente racchiuso fra i caratteri #, dalla Stringa di Controllo e dai caratteri "=ON" oppure "=OFF" secondo la seguente sintassi:

`#Codice#Stringa=ON`

`#Codice#Stringa=OFF`

2. Attraverso il **riconoscimento del chiamante**: in tal caso l'Uscita viene attivata a "costo zero" in quanto il GS3050-I, dopo aver riconosciuto il chiamante, rifiuta la chiamata e attiva l'uscita.

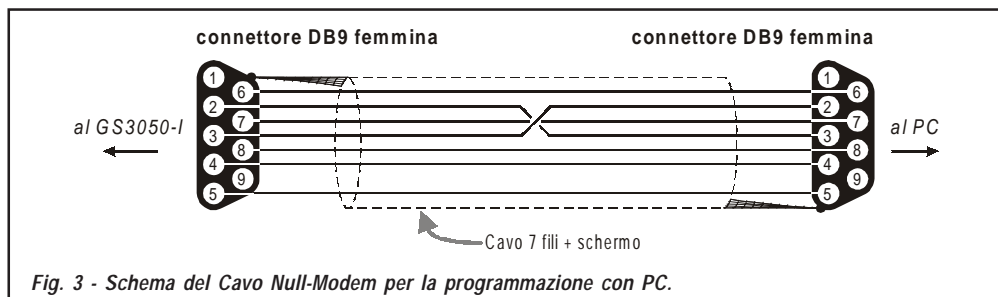
☛ *La disattivazione di un'Uscita OC di tipo Monostabile non necessita di messaggi di disattivazione in quanto questo tipo di Uscite ritornano allo stato di riposo automaticamente dopo un determinato periodo di tempo, detto "Tempo di ON" (programmabile).*

INTRODUZIONE ALLA PROGRAMMAZIONE

☛ *Per la programmazione, utilizzare le SIM-CARD da 32 K o superiori se si vogliono gestire tutte le funzioni dell'Avvisatore SMS. Inoltre assicurarsi che la propria SIM-CARD sia in grado di memorizzare almeno 20 SMS.*

La programmazione del GS3050-I (ovvero della SIM-CARD) può essere effettuata in due modi diversi:

VIA PC attraverso il software Bentel dedicato (scelta consigliata) presente nel pacchetto Bentel Security Suite oppure **MANUALMENTE** attraverso il proprio telefonino GSM e sotto la propria responsabilità.



Per poter effettuare la Programmazione da PC è necessario il software BGSMS presente nel pacchetto Bentel Security Suite. Si richiede anche l'utilizzo del cavo Null-Modem (vedi Fig. 3), collegato al connettore RS232 [10] del GS3050-I e la Porta COM del PC.

Una volta fatti i collegamenti, settare correttamente la Porta COM del PC attraverso la voce di Menù **Impostazioni->Porte seriali**.

Leggere la Programmazione dal GS3050-I

Per poter leggere la programmazione del GS3050-I e visualizzarla sul PC, utilizzare la voce di Menù **Programmazione->Carica**.

Inviare la Programmazione sul GS3050-I

Una volta effettuata la Programmazione per un nuovo cliente (oppure modificate le informazioni ad un cliente caricato in precedenza), inviare la programmazione sul GS3050-I, utilizzando la voce di Menù **Programmazione->Invia**.

Operazioni preliminari

All'apertura del programma viene presentata la schermata iniziale: sulla parte sinistra della stessa appaiono due sezioni ben distinte:

- **Cartelle:** in questa sezione possono essere selezionate, con un semplice click del mouse, le varie Pagine di programmazione e controllo.
- **Clienti:** in questa sezione è possibile eliminare o richiamare la configurazione relativa ad un cliente con la seguente procedura:
 1. Cliccare con il tasto destro del mouse sul nome desiderato.
 2. Selezionare **Carica** per caricare i dati dall'archivio su Hard-Disk oppure **Elimina** per cancellare definitivamente il cliente e tutti i suoi relativi dati dall'archivio.

Per caricare un Cliente è anche possibile effettuare un doppio-click sul nome dello stesso.

È anche possibile ordinare alfabeticamente o per codice la lista con un semplice click del mouse sull'intestazione della colonna che interessa.

- ☛ Se si desidera iniziare la programmazione per un nuovo cliente, è sufficiente selezionare la voce di menù **File->Nuovo Cliente** e selezionare il dispositivo nella finestra successiva (in questo caso 'GS3050-I').

Tutti i parametri da programmare vengono presentati attraverso 4 distinte pagine. Due ulteriori pagine (Chiamate e Stato) sono utili come "Monitor di Controllo".

Nel proseguo del capitolo verranno descritte tutte queste Pagine.

Pagina Telefono

In questa pagina possono essere memorizzati fino a 95 numeri telefonici.

- ☛ **I primi 8 numeri della rubrica verranno utilizzati anche per le funzioni dell'Avvisatore SMS.**

Sezione Numeri Telefonici

- Nella colonna **Descrizione:** inserire una stringa alfanumerica con un massimo di 20 caratteri.
- Nella colonna **Numero:** inserire un numero telefonico con un massimo di 20 cifre (E' possibile usare solo cifre ed il carattere +).
- Nelle 4 colonne **Riconoscimento Chiamante**, specificare quali numeri telefonici devono o meno attivare le Uscite 1, 2, 3 e 4 quando il GS3050-I riceve da questi una chiamata. La selezione, in ciascuna colonna, può essere effettuata solo per uno oppure per un intervallo di numeri telefonici: ciò significa che, inserendo 2 segni di spunta in corrispondenza di 2 diversi numeri telefonici della stessa colonna, tutti i numeri telefonici intermedi saranno automaticamente selezionati.
- Avv.** - Questa colonna funge da promemoria: essa indica, solo per i primi 8 numeri telefonici, quali di questi sono stati selezionati nella Pagina Avvisatore SMS.

Prefisso

Il numero programmato in questa casella viene anteposto a qualsiasi numero telefonico che viene chiamato dal GS3050-I quando quest'ultimo funziona da **Interfaccia GSM**. In questa casella va digitato il prefisso telefonico (da 1 a 4 cifre) oppure, se non utilizzata, lasciata vuota.

Cifre da rimuovere

L'impostazione di questo parametro è importante in quei casi in cui, a monte del GS3050-I, è collegato, ad esempio, un Centralino Telefonico. In questo caso, infatti, i Numeri Telefonici (quali possono essere quelli programmati sulla eventuale Centrale Antifurto collegata al GS3050-I) devono essere programmati impostando inizialmente il numero per chiamare il centralino (solitamente una cifra) e poi il numero vero e proprio. Quando la chiamata, anziché sulla Linea PSTN, va effettuata tramite Rete GSM, questa cifra iniziale deve essere rimossa giacché il Numero Telefonico non passa attraverso il Centralino. In questa casella deve essere appunto programmato il numero di cifre da rimuovere nella parte sinistra di tutti i Numeri Telefonici programmati quando la chiamata avviene tramite la modalità Interfaccia.

Pagina Avvisatore SMS

In questa pagina vanno programmate tutte le opzioni di funzionamento ed i Messaggi SMS per utilizzare il GS3050-I come Avvisatore SMS. Inoltre è possibile impostare le prime 3 Linee di Ingresso per funzionalità di Servizio.

☛ *I numeri telefonici cui fa riferimento questa pagina sono i primi 8 programmati nella pagina 'Telefono'.*

Sezione Principale

Nella colonna a sinistra sono riportati, per ognuna delle 7 righe, gli eventi in presenza dei quali è previsto, se opportunamente programmato, l'invio di due SMS: uno di attivazione, l'altro di ripristino (per l'evento 'SMS periodico' è previsto l'invio del solo Messaggio SMS di attivazione).

- Nella colonna **Polarità** (prevista solo per i 4 eventi di sbilanciamento Linee di Ingresso), deve essere selezionata la polarità a riposo degli ingressi: **H**-Normalmente aperto oppure **L**-Normalmente chiuso.
- Nelle colonne **Numeri di Telefono**, spuntare quelli che si desidera vengano chiamati al verificarsi dell'evento corrispondente.
- Nelle colonne **SMS** vanno scritti i messaggi di Attivazione e/o Ripristino da inviare al verificarsi dell'evento corrispondente (massimo 100 caratteri). Per non inviare uno dei due Messaggi SMS, lasciare vuota la corrispondente casella.
- Colonne **Serv**: è possibile fare in modo che in presenza degli eventi di sbilanciamento Linee di Ingresso 1, 2 e 3, anziché effettuare una chiamata, il GS3050-I effettui autonomamente una determinata azione. Per ogni Linea è possibile definire una coppia di azioni secondo la successiva tabella:

| Linea Ingresso n. | Selezione | Funzione di Servizio associata |
|-------------------|-----------|--|
| 1 | A | Abilita/Disabilita invio SMS Periodico. <i>Grazie a questa opzione, mantenendo in costante sbilanciamento la Linea di Ingresso 1, è possibile abilitare l'invio del Messaggio di SMS Periodico (con periodicità programmabile nella sezione SMS Periodico) Quando la Linea di Ingresso 1 torna nello stato di riposo, il Messaggio di SMS Periodico non sarà più inviato.</i> |
| | B | Invio immediato SMS Periodico. <i>Questa opzione è utile per inviare subito un SMS Periodico e, di conseguenza, azzerare il conteggio dal punto di vista dell'intervallo il quale ripartirà da zero.</i> |
| 2 | A | Cancello Coda Telefonica |
| | B | Riporta a riposo tutte le Uscite impostate come Riservate |
| 3 | A | Commutazione forzata su Rete GSM |
| | B | Selezione alternativa (vedi paragrafo 'Interfacciamento con Centrali DSC') |

Interfacciamento con Centrali DSC

L'opzione '**Selezione alternativa**' è usata per collegare il GS3050-I alle centrali della DSC: per questo, tenere presente quanto segue:

- **Fino a quando la Linea Telefonica PSTN è presente:** tutti gli eventi verranno inviati ad una Stazione di Vigilanza attraverso la Linea PSTN (inserimenti, disinserimenti, allarmi, guasti, ecc...); l'evento di Test Periodico sarà inviato attraverso la Rete GSM.
- **Quando la Linea Telefonica PSTN non è presente:** tutti gli eventi verranno inviati ad una Stazione di Vigilanza attraverso la Rete GSM.

Programmare la Centrale DSC come descritto di seguito (esempio riferito alla centrale Power832-PC5010):

- Programmare il secondo numero telefonico (sezione 302)
- Impostare a ON l'opzione 4 (2nd telephone Number Via LINKS) della sezione 368
- Impostare a OFF l'opzione 7 (LINKS is Backup of Land Line) e ad ON l'opzione 1 (Communications enabled) della sezione 380
- Programmare la sezione 352 (Test Transmission reporting Codes) con i codici evento
- Programmare la sezione 360 (Communicator Format Options) con il valore 03 per tutti i numeri telefonici (CONTACT I.D. reporting)
- Impostare la sezione 370 e 371 (transmission period and transmission hour)
- È consigliabile lasciare ad 8 i tentativi di chiamata nella sezione 160.

Dal punto di vista dei collegamenti (Fig. 2):

- Collegare la Linea Telefonica PSTN ai terminali LE del GS3050-I
- Collegare i terminali TIP e RING della centrale DSC ai terminali LI del GS3050-I
- Collegare un cavetto fra il terminale PGM della centrale DSC ed il terminale **input 3 (L3)** del GS3050-I

🔧 **Nel GS3050-I, l'opzione 'Selezione alternativa' è abilitata di default.**

Priorità

In questa sezione si sceglie la priorità per il GS3050-I: **Interfaccia** (default) oppure **Avvisatore**.

Controllo credito residuo

🔧 **NOTA BENE - A discrezione del singolo operatore di Rete GSM, il servizio di gestione credito delle SIM-CARD prepagate può essere sospeso.**

Abilitando il controllo del credito residuo, viene periodicamente inviato al **primo numero in rubrica** un SMS contenente le informazioni fornite dall'operatore sul credito residuo. Programmare il numero delle azioni telefoniche (chiamate Contact ID o SMS in uscita) che devono essere effettuate dal GS3050-I prima che si effettui il controllo del credito residuo.

- Controllo credito residuo** - Premendo questo pulsante, in pochi secondi il programma visualizza una finestra contenente il valore del credito residuo (se gestito dall'operatore telefonico) oppure il messaggio "Sconosciuto" (non gestito dall'operatore telefonico).

SMS Periodico

In questa sezione vanno programmate le opzioni relative all'invio dell'SMS Periodico.

- Data prossimo invio** - Selezionare la data per l'invio del successivo SMS Periodico.
- Ora prossimo invio** - Selezionare l'ora per l'invio del successivo SMS Periodico.
- Intervallo** - In queste caselle va digitato l'intervallo (GG-HH-MM) entro il quale inviare i successivi SMS Periodici. L'intervallo di valori ammissibili per i giorni va da 0 a 693.

🔧 **ATTENZIONE - Se la Linea di Ingresso 1 è stata programmata come Servizio (Colonna A), l'invio del Messaggio di SMS Periodico è subordinato allo sbilanciamento della Linea di Ingresso stessa come specificato nella precedente tabella. In tal caso non vengono presi in considerazione i valori Data e Ora prossimo invio.**

Pagina Uscite

In questa pagina si effettua la gestione completa delle Uscite.

Sezione Impostazione Uscite

- Nella colonna **Polarità** selezionare la polarità a riposo delle Uscite: **H**-Normalmente aperta oppure **L**-Normalmente chiusa.
- Nelle colonne dalla **2** alla **9** selezionare quale Uscita attivare in presenza dell'evento.
- Colonna **Uscita Riservata** - Quando si seleziona questa opzione, tutti gli altri eventi selezionati per attivare l'Uscita

corrispondente vengono ignorati. Utilizzare questa opzione quando si vuole attivare un'Uscita da remoto attraverso le modalità già indicate nel paragrafo 'Attivazione e Disattivazione delle Uscite da Remoto'.

Le successive opzioni hanno effetto solo se è stata selezionata tale opzione.

- Stringa di controllo** - Digitare in questa colonna la stringa (massimo 8 caratteri alfanumerici) che deve essere inviata quando si vuole attivare/disattivare l'Uscita corrispondente da remoto.
- Conferma attiv. uscita** - In questa colonna va selezionato il tipo di conferma che si vuole avere quando l'Uscita verrà attivata. La scelta è possibile per 3 diversi valori: **Nessuna**, **Squillo** oppure **SMS** (quest'ultimo valore non è disponibile se la casella **Stringa di controllo** viene lasciata vuota).
- Monostab.** - Normalmente le Uscite, quando attivate, permangono nello stato di attivazione fino al successivo comando di disattivazione, all'arrivo del quale l'Uscita stessa tornerà nello stato di riposo. Se si desidera che l'Uscita, una volta attivata, torni automaticamente nello stato di riposo dopo un determinato tempo, selezionare questa opzione ed impostarne il tempo di attivazione nella casella **Tempo di ON** adiacente.
- Tempo di ON (sec.)** - In questa casella va digitato un valore in secondi (da 2 a 254) che indica il tempo in cui l'Uscita, se impostata come Monostabile, rimane attiva prima di tornare nuovamente nello stato di riposo.

Codice Utente

In questa casella va programmato il Codice Utente (massimo 4 caratteri alfanumerici) utilizzato per attivare le uscite del GS3050-I da remoto e per abilitare la programmazione da remoto.

Pagina Comunicatore Contact ID

In questa pagina si effettuano le varie impostazioni per la funzionalità "Avvisatore Contact ID".

Numeri da chiamare

In queste caselle possono essere programmati da 1 a 4 numeri telefonici utilizzati quando il GS3050-I funziona come Avvisatore Contact ID. Ogni numero può essere formato al massimo da 20 cifre (numeri ed il carattere +).

Per ogni numero programmato vengono effettuati al massimo 3 tentativi di chiamata.

 *I Codici Contact ID sono inviati solo al primo numero che risponde alla chiamata con protocollo Contact ID.*

Tabella Eventi


- Nella colonna **Codice Cliente** digitare il Codice Cliente di 4 cifre (solo cifre e le lettere "A", "B", "C", "D", "E" ed "F").
- Nelle colonne **Codice Evento** digitare il codice Contact ID che si vuole trasmettere per l'evento corrispondente.
- Nella colonna **Invia** inserire un segno di spunta (con il semplice click del mouse) per abilitare l'invio dell'evento corrispondente. Eliminare il segno di spunta se non si vuole inviare l'evento.

Segnalazione periodica

E' possibile programmare il GS3050-I per fare in modo che ad intervalli regolari esso effettui automaticamente una chiamata di tipo **Contact ID**: nelle caselle di questa sezione si programma la data e l'ora di invio della prima (o della successiva) chiamata e l'intervallo della stessa. Il codice di Contact ID da inviare e l'abilitazione all'invio della chiamata periodica si imposta nella sezione **Tabella Eventi** (all'evento 'Segnalazione Periodica').

Pagina Chiamate

In questa pagina è possibile visualizzare le chiamate effettuate, ricevute e perse dal GS3050-I.

 *Ogni sezione può visualizzare al massimo 10 numeri telefonici. Per poter memorizzare i successivi numeri, il GS3050-I elimina via via quelli più remoti.*

Pulsante Carica

Per visualizzare le chiamate effettuate, ricevute e perse, cliccare sul pulsante **Carica** ed attendere qualche secondo. In base alle programmazioni effettuate, è possibile che per uno o più numeri telefonici non venga visualizzato il relativo nome.

Sezione Chiamate Ricevute

In questa sezione vengono visualizzate le chiamate ricevute dal GS3050-I quando quest'ultimo è collegato ad una centrale antifurto oppure ad altro dispositivo telefonico.



Sezione Chiamate Perse

In questa sezione vengono visualizzate le chiamate non risposte.

Sezione Chiamate Effettuate

In questa sezione vengono visualizzate le chiamate effettuate dal GS3050-I durante il funzionamento come Avvisatore Contact ID o le chiamate effettuate in modalità Interfaccia GSM.

Pagina Stato

In questa pagina è possibile controllare in tempo reale tutte le funzioni del GS3050-I e, se non eseguito in precedenza, sbloccare il PIN della SIM-CARD.

 **ATTENZIONE** - Questa pagina viene aggiornata continuamente ad intervalli di 5 secondi.

Sezione Stato

In questa sezione sono riportati i dati più importanti del Modulo GSM. Nel display virtuale, oltre al nome del gestore della Rete GSM, viene visualizzato il livello di carica della batteria del GS3050-I (lasciandoci il puntatore del mouse sopra per qualche istante, appare il valore preciso) e il livello di segnale GSM, quest'ultimo attraverso 10 barre.

La spia **Comunicazione** normalmente è di colore VERDE; quando è ROSSA significa non c'è comunicazione fra il software ed il GS3050-I, se invece è GIALLA significa che il GS3050-I sta leggendo la SIM-CARD, oppure sta ricevendo o effettuando una chiamata telefonica, di conseguenza è momentaneamente sospeso l'aggiornamento della 'Pagina Stato'..

Sezione Ingressi

In questa sezione vengono visualizzati gli stati relativi ai 4 Ingressi (spia VERDE, ingresso a riposo; spia ROSSA, ingresso sbilanciato) e le eventuali funzioni di servizio ad essi associate.

Sezione Uscite

In questa sezione vengono visualizzati gli stati relativi alle 4 Uscite (spia VERDE, uscita a riposo; spia ROSSA, uscita attivata).

Se una o più Uscite sono state impostate con l'opzione "Riservata" (vedi 'Pagina Uscite'), spia ROSSA accesa, è **possibile attivarle/disattivarle in tempo reale** effettuando un click con il tasto destro del mouse e selezionare la voce di menù "Attiva/Disattiva".

Sezione Eventi

In questa sezione vengono segnalati gli Eventi in tempo reale (spia ROSSA accesa).

Prossimo Invio SMS Periodico

In questa sezione è visualizzata la data e l'ora del successivo invio del messaggio SMS Periodico (vedi Pagina Avvisatore SMS).

Prossimo Invio Segnalazione Periodica

In questa sezione è visualizzata la data e l'ora del successivo invio della segnalazione Periodica (Vedi Pagina Comunicatore Contact ID).

Cancella coda telefonica

Alla pressione di questo pulsante, l'eventuale telefonata in corso e quelle in coda vengono neutralizzate.

 Questa opzione ha effetto soltanto quando il GS3050-I funziona in modalità "Avvisatore".

Programmazione Remota

La Programmazione Remota può essere utilizzata per effettuare delle modifiche alla programmazione di un utente senza recarsi sul posto. Non è un'operazione di Teleassistenza in quanto non si ha la possibilità di leggere da remoto la configurazione attuale dell'utente, ma solo di inviare opportuni messaggi SMS per riconfigurare il GS3050-I.

Per effettuare la Programmazione Remota è necessario seguire la seguente procedura:

1. Dal software, caricare la programmazione precedentemente salvata del Cliente;
 2. Effettuare le necessarie modifiche **avendo cura di non salvarle**;
 3. Inviare al GS3050-I da riprogrammare il messaggio SMS *#CodiceUtente#*PRG** (abilitazione della Programmazione da Remoto);
 4. Selezionare la voce di Menù **Programmazione->Remota**;
 5. Selezionare il cliente nella finestra superiore;
 6. Cliccare sul pulsante **Visualizza tutti** se si vuole programmare completamente il GS3050-I oppure sul pulsante **Confronta** se si vogliono inviare solo gli SMS necessari per effettuare le modifiche richieste;
 7. Nella finestra inferiore è riportato l'elenco degli SMS da inviare al GS3050-I per effettuare la programmazione da remoto. Questi SMS possono essere inviati dal proprio cellulare, oppure, se si collega un GS3050-I al PC, è sufficiente cliccare sul pulsante **Invia**: in tal caso si aprirà la finestra su cui digitare il numero telefonico del GS3050-I dell'utente;
 8. Terminato l'invio, è necessario disabilitare la Programmazione da Remoto inviando il Messaggio SMS *#CodiceUtente#***;
 9. Memorizzare le modifiche effettuate salvando la configurazione del cliente.
- ✎ **Nella Programmazione da Remoto non è possibile modificare la data del primo invio della chiamata Contact ID Periodica e del Messaggio SMS Periodico.**

Per modificare il Codice Utente fare riferimento al paragrafo 'Modifica del Codice Utente' più avanti in questo manuale.

Prima di iniziare la programmazione Manuale, cancellare sulla SIM-CARD, se presenti, tutti i numeri telefonici e tutti i Messaggi SMS.

Introduzione

IMPORTANTE - Il buon esito della programmazione manuale dipende dal tipo di cellulare: in particolare, assicurarsi che quest'ultimo memorizzi gli SMS nella sequenza di introduzione (ossia il primo memorizzato nella pos. 1 e così via). Nel caso in cui si voglia modificare una programmazione preesistente, accertarsi che l'SMS modificato sia memorizzato nella stessa locazione di memoria.

In questo paragrafo vengono descritte solo le procedure di programmazione da effettuarsi con il proprio cellulare; per una descrizione dettagliata dei vari parametri, fare riferimento al paragrafo "PROGRAMMAZIONE DA PC". La programmazione della SIM-CARD, nel **modo MANUALE** va effettuata attenendosi scrupolosamente alle procedure presenti in questo capitolo, rispettando la punteggiatura e utilizzando i caratteri come indicato.

Dopo aver inserito la SIM-CARD da programmare nel proprio cellulare, accendere quest'ultimo ed attendere il termine della fase di accensione. Quindi sarà possibile iniziare la programmazione.

Programmazione dei Numeri Telefonici nella Rubrica

All'interno della Rubrica si ha la possibilità di programmare fino ad un massimo di 99 numeri telefonici: questi saranno utilizzati dal GS3050-I per le funzioni di *Avvisatore SMS*, *Avvisatore Contact ID* e per *l'attivazione delle Uscite mediante riconoscimento del chiamante*.

Nella programmazione dei numeri telefonici, è necessario attenersi ad un determinato schema come riportato nella seguente tabella:

| Posizione Rubrica N. | Avvisatore SMS | Ric. del Chiamante | Contact ID |
|----------------------|----------------|--------------------|------------|
| Da 1 a 8 | ● | ● | |
| Da 9 a 95 | | ● | |
| Da 96 a 99 | | | ● |

Configurazione del GS3050-I

Per configurare il GS3050-I, è necessario programmare **4 SMS**. In particolare,

- 1° SMS - Configurazione delle Uscite
- 2° SMS - Configurazione dell'Avvisatore SMS
- 3° SMS - Altre configurazioni
- 4° SMS - Configurazione dell'Avvisatore Digitale

1° SMS - Configurazione delle Uscite

Per configurare le Uscite è necessario creare un SMS formato da 4 porzioni di testo ognuna delle quali con la seguente sintassi:

Ox=p;E:yyyyyyyy; (per le Uscite utilizzate come segnalazione di stato del dispositivo) oppure

Ox=p;M:tttttttt,r;i1-i2,mmm; (per le Uscite utilizzate come Riservate, attivabili da remoto).

dove:

x - E' il segnaposto che contiene il numero dell'Uscita da programmare e può valere 1, 2, 3 oppure 4.

p - E' il segnaposto per la polarizzazione dell'Uscita a riposo e può assumere solo 2 valori:

L - Uscita Normalmente Chiusa, H - Uscita Normalmente Aperta

yyyyyyyy - E' la maschera che identifica gli eventi che possono attivare l'Uscita e può assumere solo due valori: 1 o 0: inserire la cifra 1 in corrispondenza del numero di evento che deve attivare l'Uscita facendo riferimento alla successiva tabella:

| N. Evento | Descrizione Evento |
|-----------|---------------------------|
| 1 | Mancanza Rete PSTN |
| 2 | Errore sul Modulo GSM |
| 3 | Mancanza Rete GSM |
| 4 | Problemi di Alimentazione |

| N. Evento | Descrizione Evento |
|-----------|------------------------------------|
| 5 | Chiamata telefonica in entrata |
| 6 | Chiamata telefonica in uscita |
| 7 | Chiamata Digitale (Contact ID) |
| 8 | Programmazione da remoto abilitata |

a - E' la stringa di testo alfanumerica che sarà contenuta nell'SMS di **Attivazione dell'Uscita da remoto**. La sua lunghezza va da 0 a 8 caratteri (senza spazi intermedi).

r - E' una lettera che indica il tipo di conferma che si vuole ricevere dopo l'attivazione dell'Uscita da remoto: può assumere 3 valori:

- 0 - Nessuna conferma,
- 1 - Conferma mediante SMS di risposta (solo nel caso di attivazione dell'Uscita mediante SMS),
- 2 - Conferma mediante squillo al chiamante.

i1 - i2 - Definisce l'intervallo dei numeri telefonici delle rubrica che possono attivare l'Uscita da remoto mediante il **riconoscimento del chiamante** (se, ad esempio, si scrive 04-32, tutti i numeri telefonici programmati nella rubrica e compresi tra le posizioni 4 e 32 possono attivare l'Uscita attraverso la semplice telefonata verso l'Interfaccia). Entrambi i valori vanno digitati a 2 cifre (come, ad esempio, 04). Se non si vuole attivare l'Uscita mediante il Riconoscimento del Chiamante, inserire i valori 00-00.

mm - Segnaposto che indica il tempo, in secondi, in cui l'Uscita rimane attivata, altrimenti definito "Tempo di ON". E' possibile digitare un valore compreso fra 002 e 254 secondi: per fare in modo che l'Uscita sia di tipo Bistabile, digitare il valore 255.

Un esempio di SMS completo è il seguente:

01=H;E:10000000;02=H;E:01110000;03=L;E:00001110;04=H;M:l uce,2;05-30,100;

Uscita 1 = Normalmente Aperta, attivata dall'evento numero 1 (Mancanza Rete PSTN).

Uscita 2 = Normalmente Aperta, attivata dagli eventi numero 2, 3 e 4.

Uscita 3 = Normalmente Chiusa, attivata dagli eventi numero 5, 6 e 7.

Uscita 4 = Normalmente Aperta, attivata da remoto mediante riconoscimento dei numeri telefonici compresi tra il numero 5 ed il 30 della rubrica. La stringa di controllo è "luce". Conferma attivazione mediante squillo. L'uscita rimane attiva per 100 secondi.

2° SMS - Configurazione l'Avvisatore SMS

Per configurare l'Avvisatore SMS è necessario creare un SMS formato da 7 porzioni di testo ognuna delle quali con la seguente sintassi:

x=ar,yyyyyyyy;

dove:

x - E' il segnaposto che può assumere valori da "A" a "G" secondo la tabella successiva:

| Valore | Descrizione Evento |
|--------|------------------------------------|
| A | Sbilanciamento Linea di Ingresso 1 |
| B | Sbilanciamento Linea di Ingresso 2 |
| C | Sbilanciamento Linea di Ingresso 3 |
| D | Sbilanciamento Linea di Ingresso 4 |

| Valore | Descrizione Evento |
|--------|---------------------------|
| E | Problemi di Linea PSTN |
| F | Problemi di Alimentazione |
| G | Invio SMS Periodico |

a - E' il segnaposto che indica se inviare o meno il messaggio SMS in presenza dell'evento specificato in posizione x e può assumere 2 soli valori: 1 per inviare la segnalazione oppure 0 per non inviarla.

r - E' il segnaposto che indica se inviare o meno il messaggio SMS quando viene rimossa la causa che ha generato l'evento e può assumere 2 soli valori: 1 per inviare la segnalazione oppure 0 per non inviarla.

yyyyyyyy - E' la maschera che identifica i primi 8 numeri telefonici della rubrica: inserire la cifra 1 nella posizione corrispondente per chiamare il numero relativo oppure 0 per non chiamarlo.

Un esempio di SMS completo è il seguente:

A=00,00000000;B=11,10000000;C=10,11000000;D=00,00000000;E=10,10000001;F=00,00000000;G=10,00000010;

Sbilanciamento Linea 2 = Invio messaggi di Attivazione e Ripristino al primo numero telefonico in rubrica.

Sbilanciamento Linea 3 = Invio solo messaggio di Attivazione ai primi due numeri della rubrica.

Problemi Linea PSTN = Invio solo messaggio di Attivazione ai numeri telefonici 1 e 8 della rubrica.

Invio dell'SMS Periodico al settimo numero telefonico della rubrica.



3° SMS - Altre Configurazioni

Con il 3° SMS si effettuano diverse impostazioni e la sua sintassi completa è la seguente:

IP:xxxx;IS:abcdef00;MP:t1,DP:t2;C2:ddd;T:tt;Py;R:n;P:p;

xxxx - E' la maschera di polarizzazione degli ingressi e può assumere 2 soli valori: L (Ingresso Normalmente Chiuso attivabile con Negativo a mancare) oppure H (Ingresso Normalmente Aperto attivabile Negativo a dare).

abcdef - E' la maschera che definisce gli ingressi che svolgono funzioni di "Servizio" (valore "1") oppure funzioni di "Avvisatore" (valore "0"). Le Linee di Ingresso che possono essere impiegate per funzioni di Servizio sono le prime 3 secondo quanto riportato nella successiva tabella:

| Linea Ingresso n. | Segnaposto | Funzione di Servizio associata |
|-------------------|------------|--|
| 1 | a | Abilita/Disabilita invio SMS Periodico |
| | b | Invio immediato SMS Periodico |
| 2 | c | Cancella Coda Telefonica |
| | d | Metti a riposo le Uscite Riservate |
| 3 | e | Commutazione forzata su Rete GSM |
| | f | Selezione alternativa |

t1 - E' il tempo, espresso in minuti, che definisce l'intervallo di invio dell'SMS Periodico. Deve essere scritto sempre con 6 cifre e può assumere valori da 000001 a 999999.

t2 - E' il tempo, espresso in minuti, che definisce l'intervallo tra due chiamate digitali periodiche. Deve essere scritto sempre con 6 cifre e può assumere valori da 000001 a 999999.

ddd - Definisce il Codice Cliente dell'Avvisatore Digitale.

tt - E' il numero di azioni telefoniche (da 01 a 99) che devono essere eseguite prima che il dispositivo richieda il credito residuo della SIM-CARD. Inserendo il valore "00", il GS3050-I non effettua tale controllo.

y - Segnaposto che definisce la priorità: può assumere il valore "I" (priorità all'Interfaccia) oppure "A" (priorità all'Avvisatore).

n - Segnaposto che indica il numero di cifre da rimuovere da un numero telefonico (può assumere valori da 0 a 9).

p - Segnaposto per il prefisso: può essere di lunghezza variabile, ma compreso fra 0 e 4 cifre.

Un esempio di SMS completo è il seguente:

IP:HHH;IS:00100000;MP:001440,DP:001440;CD:ABCD;T:03;PI;R:1;P:081;

Tutte le 4 Linee di Ingresso impostate come Normalmente Aperte.

Linea di Ingresso 2 programmata come Servizio con la funzione 'Cancella Coda Telefonica'.

L'SMS Periodico e la chiamata Contact ID Periodica sono inviate ogni 1440 minuti (24 ore).

Il Codice Cliente per l'Avvisatore Digitale è ABCD.

Ogni 3 azioni telefoniche è inviato al primo numero della rubrica un SMS contenente l'informazione relative al credito residuo della SIM-CARD.

Priorità all'Interfaccia.

Cifre da rimuovere: 1.

Prefisso telefonico: 081.

4° SMS - Configurazione l'Avvisatore Digitale

Per configurare l'Avvisatore Digitale è necessario creare un SMS formato da 4 porzioni di testo ognuna delle quali con la seguente sintassi:

x=ar,uuuu,eee;

dove:

x - E' il segnaposto che può assumere valori da "A" a "D" ed indica a quale Linea di Ingresso evento fa riferimento la programmazione secondo la tabella successiva:

| Ingresso Linea 1 | Ingresso Linea 2 | Ingresso Linea 3 | Ingresso Linea 4 |
|------------------|------------------|------------------|------------------|
| A | B | C | D |

a - E' il segnaposto che indica se attivare (valore "1") o meno (valore "0") l'Avvisatore in presenza di allarme sulla Linea.
r - E' il segnaposto che indica se attivare (valore "1") o meno (valore "0") l'Avvisatore quando la Linea di Ingresso torna a riposo.

uuuu - E' il Codice Cliente associato all'ingresso corrispondente.

eee - E' il Codice Contact ID dell'evento da trasmettere associato all'ingresso corrispondente.

All'SMS risultante vanno poi aggiunte altre 4 porzioni di testo ognuna delle quali con la seguente sintassi:

x=ar,ee;

dove:

x - E' il segnaposto che può assumere valori da "E" a "H" ed indica a quale evento fa riferimento la programmazione secondo la tabella successiva:

| Linea PSTN | Alimentazione | Segnale Periodico | Coda Telefonica piena |
|------------|---------------|-------------------|-----------------------|
| E | F | G | H |

a - E' il segnaposto che indica se attivare (valore "1") o meno (valore "0") l'Avvisatore in presenza del verificarsi dell'evento corrispondente.

r - E' il segnaposto che indica se attivare (valore "1") o meno (valore "0") l'Avvisatore quando l'evento corrispondente si ripristina.

ee - E' il Codice Contact ID dell'evento da trasmettere.

A questi eventi è automaticamente assegnato il Codice Cliente definito in precedenza nell'SMS n. 3.

Un esempio di SMS completo è il seguente:

A=11,0123,456;B=11,789A,BCD;C=10,9999,AAA;D=00,0000,000;E=00,00;F=00,00;G=00,00;H=00,00;

L'Avvisatore Digitale sarà attivato sia per lo sbilanciamento che per il ripristino delle Linee di Ingresso 1 e 2.

L'Avvisatore Digitale sarà attivato solo per lo sbilanciamento della Linea di Ingresso 3.

I Codici Cliente per le Linee di Ingresso 1, 2 e 3 sono rispettivamente 0123, 789A e 9999.

I Codici Contact ID da inviare in corrispondenza dello sbilanciamento/ripristino delle Linee di Ingresso 1, 2 e 3 sono rispettivamente 456, BCD e AAA.

SMS dell'Avvisatore

Il GS3050-I deve essere programmato con 15 messaggi SMS associati all'Avvisatore, secondo la tabella successiva:

| SMS n. | Evento associato all'SMS | SMS n. | Evento associato all'SMS |
|--------|--------------------------|--------|----------------------------------|
| 5 | Allarme su Ingresso 1 | 12 | Ripristino Ingresso 4 |
| 6 | Ripristino Ingresso 1 | 13 | Mancanza Linea Telefonica PSTN |
| 7 | Allarme su Ingresso 2 | 14 | Ripristino Linea Telefonica PSTN |
| 8 | Ripristino Ingresso 2 | 15 | Problemi di Alimentazione |
| 9 | Allarme su Ingresso 3 | 16 | Ripristino Alimentazione |
| 10 | Ripristino Ingresso 3 | 17 | Invio SMS Periodico |
| 11 | Allarme su Ingresso 4 | | |

☛ *Nella programmazione Manuale non è possibile modificare il Codice Utente utilizzato per attivare le Uscite da remoto mediante SMS e per abilitare la Programmazione da remoto. Per modificarlo è necessario seguire la procedura descritta nel capitolo "MODIFICA DEL CODICE UTENTE DA REMOTO" più avanti in questo manuale.*

Programmazione da remoto

Il GS3050-I può essere programmato da remoto mediante il semplice invio di Messaggi SMS. La Programmazione da Remoto può essere attivata solo dall'Utente mediante l'invio del messaggio SMS seguente:

#uuuu#*PRG*

dove uuuu è il Codice Utente (4 cifre).

Una volta inviato il messaggio di abilitazione, possono essere inviati i messaggi SMS (Configurazione e Avvisatore) descritti nel capitolo "PROGRAMMAZIONE MANUALE" ed uno speciale per l'inserimento di un numero telefonico nella Rubrica. Tutti gli SMS hanno la seguente sintassi:

#*x*<SMS>*

dove x corrisponde ad uno caratteri riportati nella tabella seguente:

| Carattere | SMS programmato |
|-----------|--|
| a | Configurazione delle Uscite |
| b | Maschere Avvisatore SMS |
| c | Polarizzazione Ingressi e varie di Sistema |
| d | Avvisatore Digitale |
| e | SMS di Allarme Ingresso 1 |
| f | SMS di Ripristino Ingresso 1 |
| g | SMS di Allarme Ingresso 2 |
| h | SMS di Ripristino Ingresso 2 |
| i | SMS di Allarme Ingresso 3 |

| Carattere | SMS programmato |
|-----------|--|
| j | SMS di Ripristino Ingresso 3 |
| k | SMS di Allarme Ingresso 4 |
| l | SMS di Ripristino Ingresso 4 |
| m | SMS mancanza Linea Telefonica PSTN |
| n | SMS ripristino Linea Telefonica PSTN |
| o | SMS problemi di Alimentazione |
| p | SMS ripristino Alimentazione |
| q | SMS Periodico |
| r | Inserimento numero telefonico in Rubrica |

<SMS> è l'SMS di programmazione come descritto nel capitolo precedente "PROGRAMMAZIONE MANUALE".

Se si vuole aggiungere un Numero nella Rubrica telefonica utilizzare il seguente messaggio SMS:


p , "Numero Telefonico" , , "Nominativo"

dove *p* è la posizione della Rubrica dove salvare il numero telefonico espressa sempre con due cifre (esempio 01).

Se si vuole togliere un Numero dalla Rubrica telefonica utilizzare il seguente messaggio SMS:

p

dove *p* è la posizione della Rubrica del numero telefonico da eliminare espressa sempre con due cifre (esempio 01).

 **Per terminare la fase di Programmazione da Remoto, disabilitarla inviando il Messaggio SMS #CodiceUtente#**.**

Modifica del Codice Utente da remoto

Per sostituire il Codice Utente, utilizzare il seguente messaggio SMS:

#uuuu#*#nnnn#

dove uuuu corrisponde al vecchio Codice Utente e nnnn corrisponde a quello nuovo.

☛ *Il Codice Utente di default è 0001.*

Per effettuare una telefonata

E' possibile effettuare una telefonata attraverso la rete GSM ma solo se l'installatore ha opportunamente collegato un apparecchio telefonico esterno al GS3050-I.

Altre informazioni

Gli utenti possono reperire altre informazioni consultando i seguenti capitoli:

- SPIE DI CONTROLLO
- MODALITÀ DI FUNZIONAMENTO
- ATTIVAZIONE DELLE USCITE
- Paragrafo "Programmazione Remota" del capitolo PROGRAMMAZIONE DA PC



Hereby, DSC (Digital Security Controls), declares that the above mentioned **GS3050-I** is in compliance with the essential requirements and other relevant provisions of Directive 1999/5/EC. The complete R&TTE Declaration of Conformity for each Panel can be found at www.dsc.com/intl/rttedirect.htm.

This device complies with CEI 79-2 2a Ed.1993. Installation of these systems must be carried out strictly in accordance with the instructions described in this manual, and in compliance with the local laws and bylaws in force. The above mentioned GS3050-I has been designed and made to the highest standards of quality and performance. The manufacturer recommends that the installed system should be completely tested at least once a month. DSC shall not be responsible for damage arising from improper installation or maintenance by unauthorized personnel. DSC reserves the right to change the technical specifications of this product without prior notice.

Con la presente, DSC (Digital Security Controls) dichiara che:

GS3050-I

è conforme ai requisiti essenziali ed alle altre disposizioni pertinenti stabilite dalla direttiva 1999/5/CE.

Le dichiarazioni di conformità complete possono essere trovate all'indirizzo:

www.dsc.com/intl/rttedirect.htm.

Questa apparecchiatura è conforme ai requisiti richiesti dalla norma CEI 79-2 2a Ed.1993. L'installazione del GS3050-I deve essere effettuata a regola d'arte, in accordo con le norme vigenti. Questa apparecchiatura è stata sviluppata secondo criteri di qualità, affidabilità e prestazioni adottati dalla DSC. Si raccomanda di verificare il corretto funzionamento del sistema almeno una volta al mese. Le procedure per il collaudo dipendono dalla configurazione del sistema. Chiedere all'installatore del sistema le procedure da seguire. La DSC declina ogni responsabilità nel caso in cui l'apparecchiatura venga manomessa da personale non autorizzato.

Il contenuto di questo manuale può essere soggetto a modifiche senza preavviso e non rappresenta un impegno da parte della DSC.